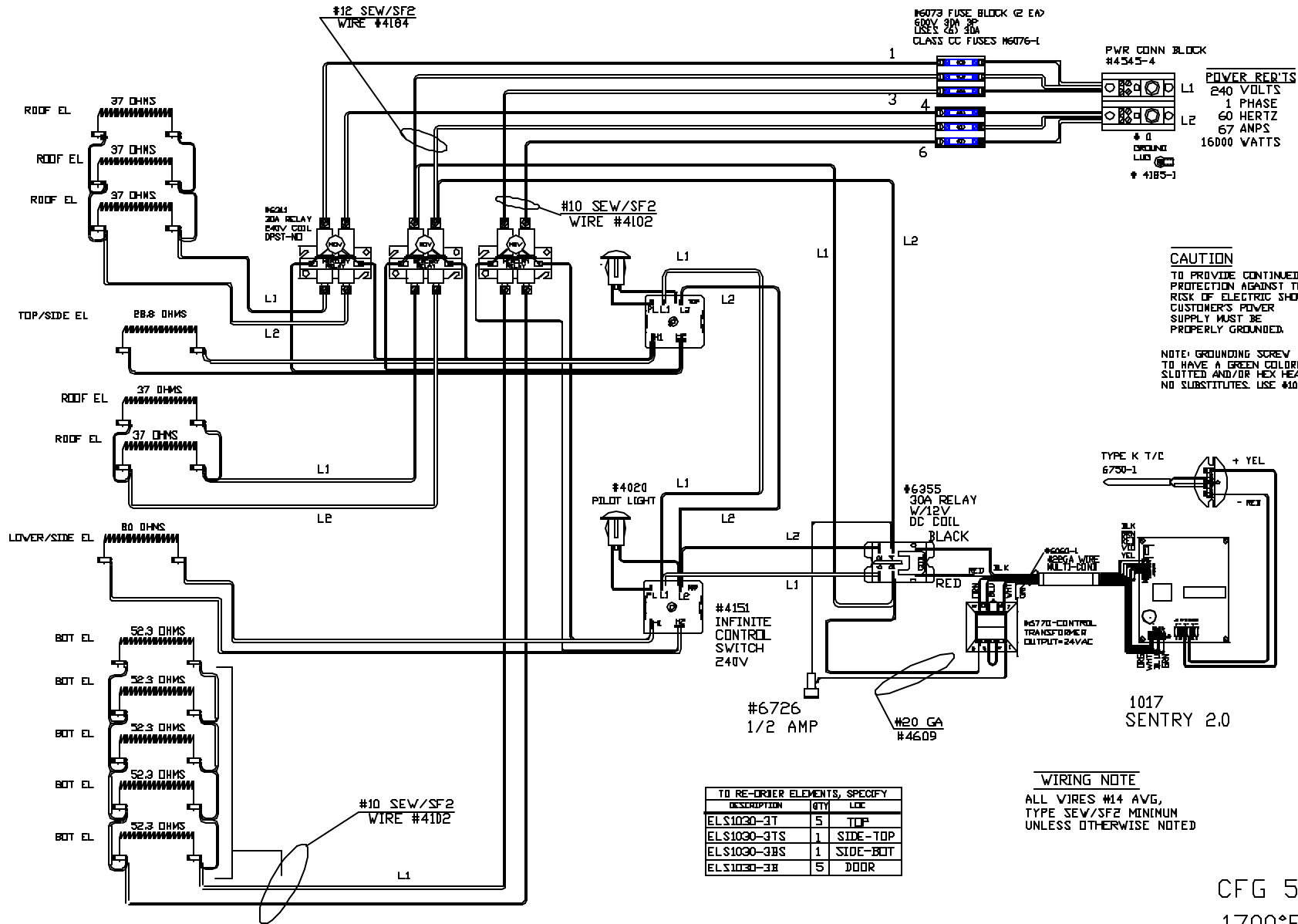
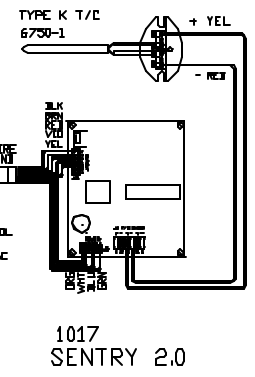


PART NO S1030-3



**CAUTION**  
 TO PROVIDE CONTINUED PROTECTION AGAINST THE RISK OF ELECTRIC SHOCK, CUSTOMER'S POWER SUPPLY MUST BE PROPERLY GROUNDED.

NOTE: GROUNDING SCREW TO HAVE A GREEN COLORED SLOTTED AND/OR HEX HEAD NO SUBSTITUTES. USE #1005



TO RE-ORDER ELEMENTS, SPECIFY

DESCRIPTION	QTY	LOC
ELS1030-3T	5	TOP
ELS1030-3TS	1	SIDE-TOP
ELS1030-3BS	1	SIDE-BOT
ELS1030-3B	5	DOOR

**WIRING NOTE**  
 ALL WIRES #14 AVG, TYPE SEW/SF2 MINIMUM UNLESS OTHERWISE NOTED

CFG 5  
 1700°F

REV	DATE	BY	DESCRIPTION	SWITCH BOX ASSY- 42108-2	WIRING DIAGRAM	PART NO.	REV
-	7/10/07	DTH		PARAGON INDUSTRIES 2011 SOUTH TOWN EAST BLVD MESQUITE, TEXAS 75149		S1030-3	-
					240V, 1 PHASE, 60HZ, 16000WATTS	CLAMSHELL 56X30X16	FILE