

CAUTION

TO PROVIDE CONTINUED PROTECTION AGAINST THE RISK OF ELECTRIC SHOCK, CUSTOMER'S POWER SUPPLY MUST BE PROPERLY GROUNDED.

NOTE: GROUNDING SCREW TO HAVE A GREEN COLORED SLOTTED AND/OR HEX HEAD NO SUBSTITUTES. USE #1005

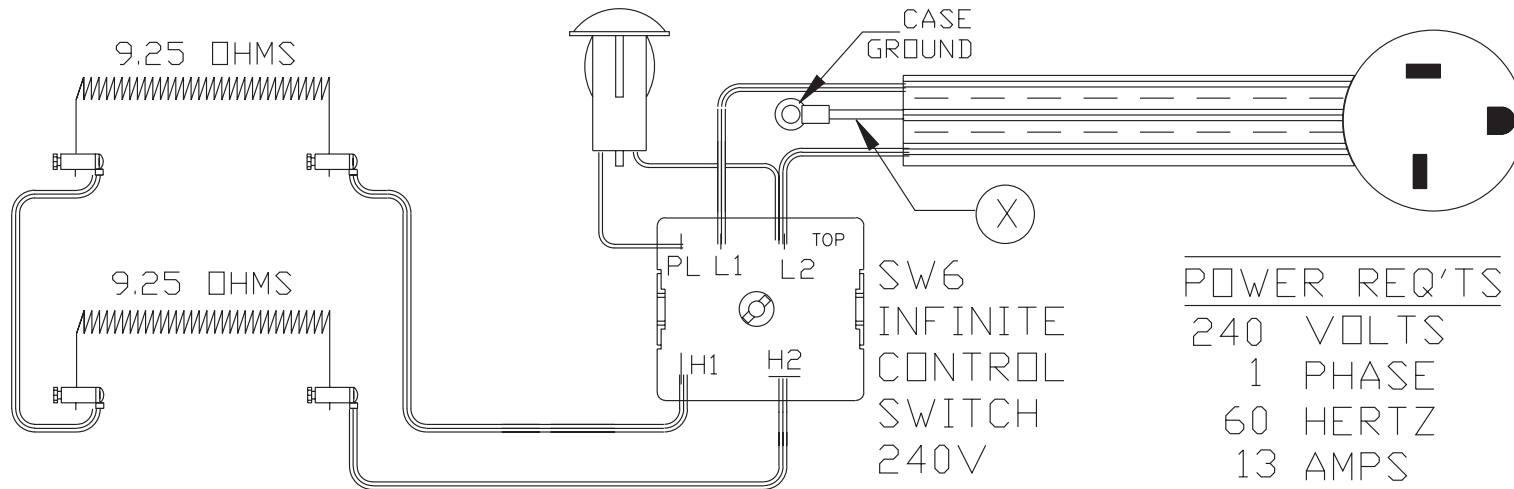
NOTE: THE SURFACE OF THE INSULATED WIRES MARKED (X) TO BE COLORED GREEN, WITH OR WITHOUT ONE OR MORE YELLOW STRIPES.

WIRING NOTE

ALL WIRES #14 AWG, TYPE SEW/SF2 MINIMUM UNLESS OTHERWISE NOTED

CR14  
#12-3 CORDSET  
6-20P CAP

MS8  
PILOT LIGHT



POWER REQ'TS

240 VOLTS  
1 PHASE  
60 HERTZ  
13 AMPS  
3120 WATTS  
MAX TEMP 2000° F

TO RE-ORDER ELEMENTS, SPECIFY		
DESCRIPTION	QTY	LOC
ELE14S	2	SIDES

UL/CUL LISTED

COMMENTS	PARAGON INDUSTRIES 2011 SOUTH TOWN EAST BLVD MESQUITE, TEXAS 75149	<u>PRODUCT DESCRIPTION</u> 13"W, 8.75"H, 13.5"DP 240V, 1PH, 60HZ, 13A, 3120W	<u>PART NO.</u> E14A	<u>REV</u> -
			WIRING DIAGRAM	