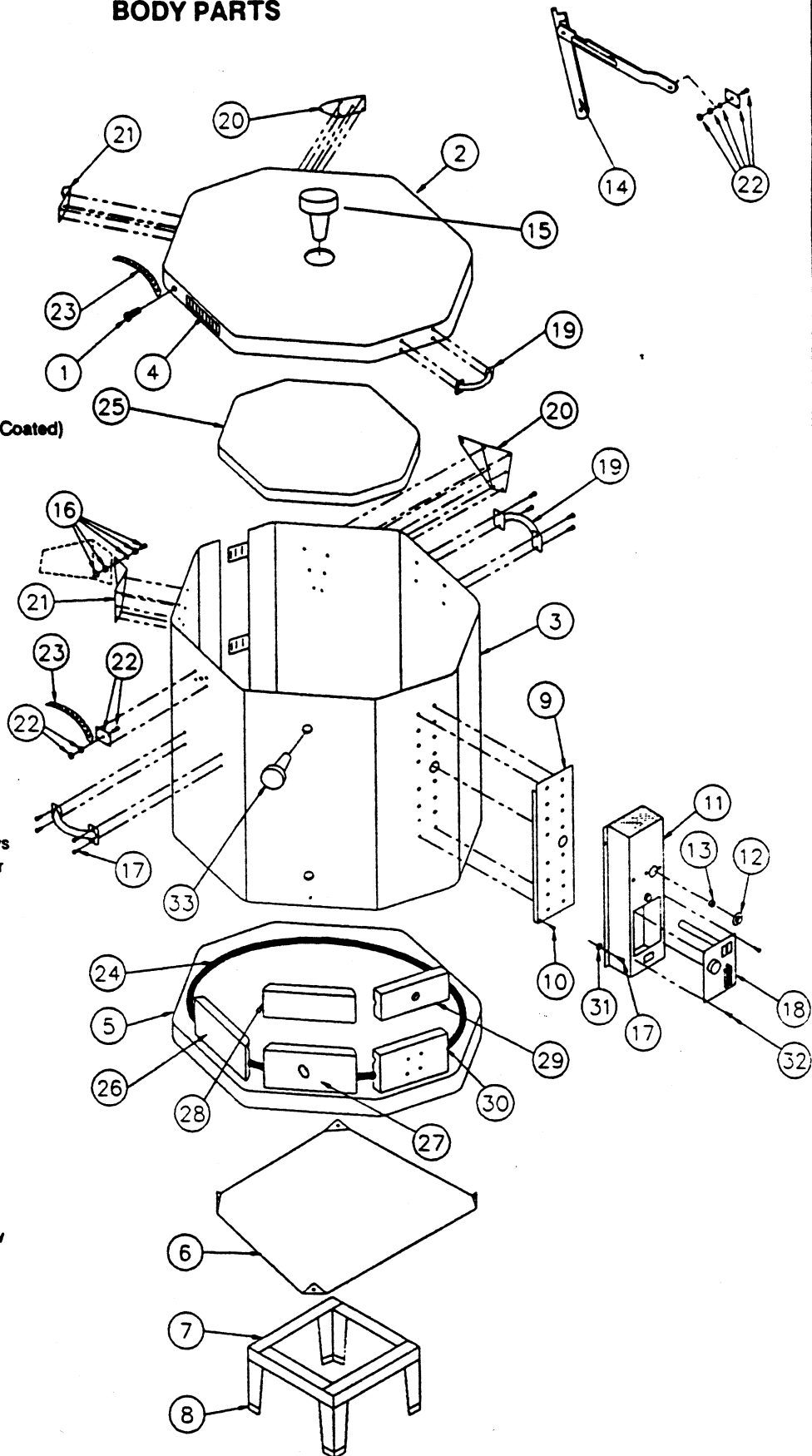


DUNCAN MODELS EA & DA 820-2,-4

BODY PARTS

REF. NO.	PART NO.	DESCRIPTION
1.	KE 304	#8-32 x 3/4" Machine Screw
2.	KC 018 OR KC 015	EA 820 Fiber Lid w/Band DA 820 Brick Lid (Banded & Coated) with Vent Hole.
3.	KC 080	820 Case w/Clamps
4.	KE 045	Fiber Case Clamp
5.	KC 005 OR KC 002	EA 820 Fiber Bottom DA 820 Brick Bottom
6.	KP 302	820 Base Plate
7.	KC 069	820 Stand w/Feet
8.	KE 030	Stand Feet
9.	KP 028	820, 1020/29 Heat Shield
10.	KE 302	#8 x 1" Sheet Metal Screw
11.	KC 058	820 Control Panel Shell
12.	KM 319	EA Switch Knob
13.	KM 302	Pal Nut
14.	KE 018	Locking Lid Brace (DA only)
15.	KA 031	Lid Vent Hole Plug
16.	KC 222	Hinge Pivot Kit
17.	KE 301	#8 x 1/2" Sheet Metal Screws
18.	KM 208	EA Kiln-Sitter w/Safety Timer
19.	KE 009	Handle
20.	KC 204	820 Right Hinge w/ Pivot
21.	KC 214	820 Left Hinge w/ Pivot
22.	KC 339	Lid Chain Mounting Plate
23.	KE 103	820 Lid Chain
24.	KE 202 OR KE 212	820 Element (240V) 820 Element (208V)
25.	KA 117	820 Hearth Plate (EA only)
26.	KB 002	820 Grooved Brick
27.	KB 022	820 Peephole Brick
28.	KB 042	820 Half Brick
29.	KB 052	820 Kiln-Sitter Brick
30.	KB 012	820 Terminal Brick
31.	KE 341	1/8" Standoff
32.	KE 303	#6 x 1/2" Sheet Metal Screw
33.	KA 030	Peephole Plug



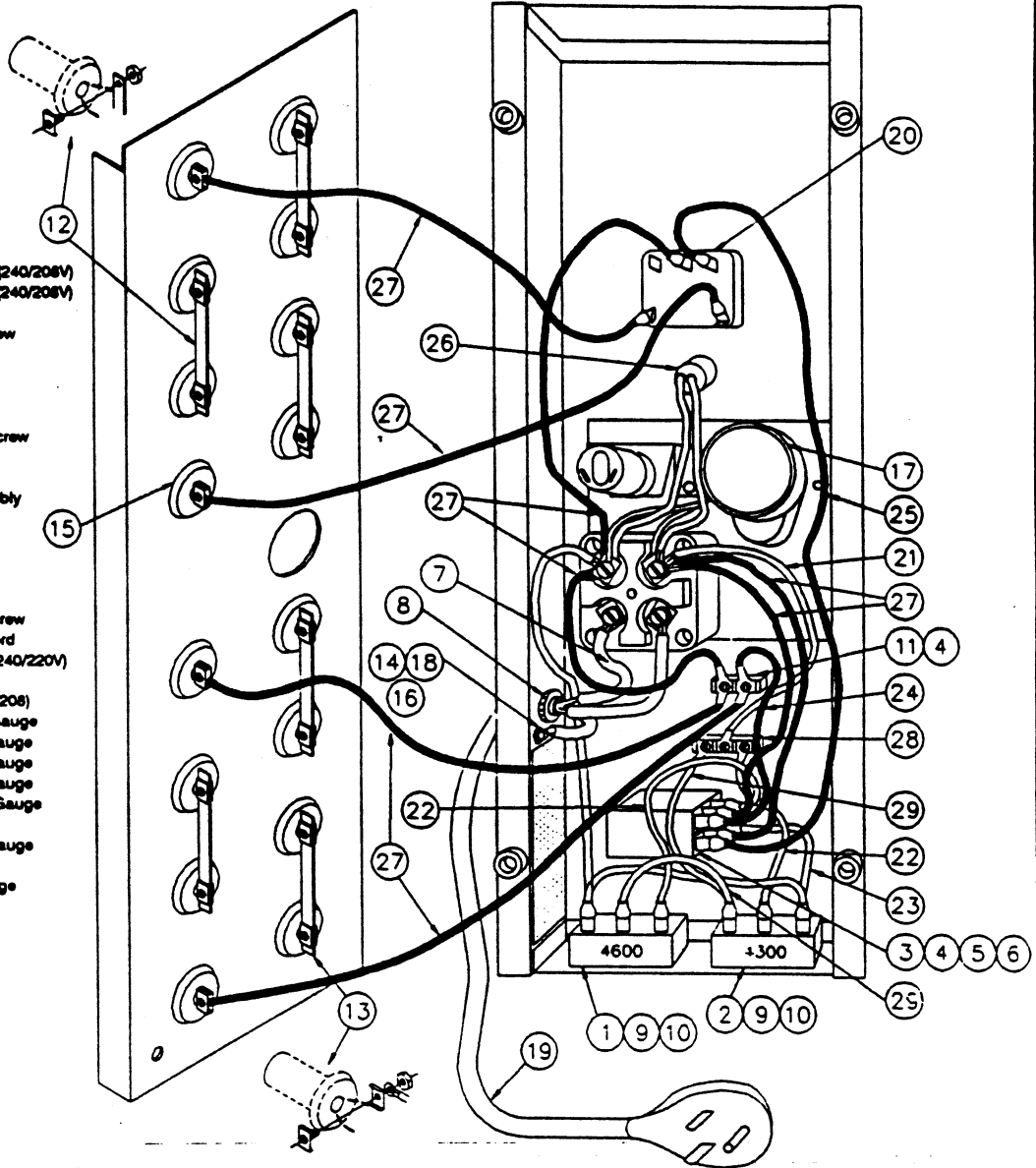
DUNCAN CERAMICS
P.O. BOX 7609
FRESNO, CA. 93747

ORDER PARTS FROM YOUR AUTHORIZED DUNCAN CERAMICS DISTRIBUTOR.

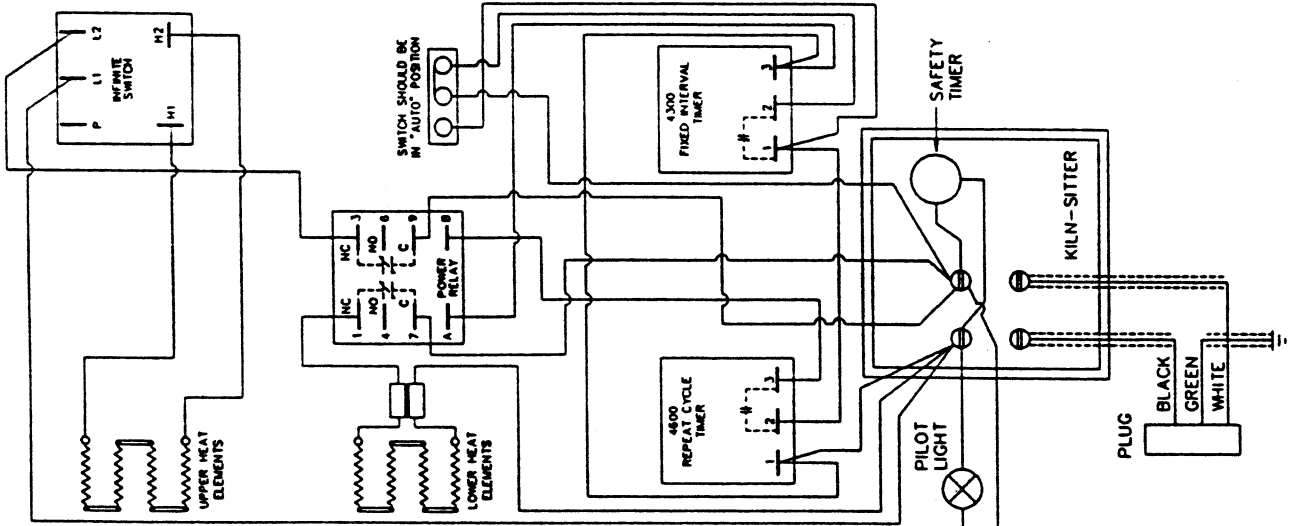
DUNCAN MODELS EA & DA 820 -2,-4

CONTROL PANEL PARTS

REF. NO.	PART NO.	DESCRIPTION
1.	KM 328	4800 Repeat Cycle Timer (240/208V)
2.	KM 325	4300 Fixed Interval Timer (240/208V)
3.	KM 324	Power Relay (240/208V)
4.	KE 314	#6-32 X 1/2" Machine Screw
5.	KE 322	#6 Star Washer
6.	KE 333	#6-32 Hex Nut
7.	KM 363	4" Fiberglass Sleeving
8.	KM 342	820, Cord Strain Relief
9.	KE 307	#8-32 x 1-1/4" Machine Screw
10.	KE 329	#8-32 Hex Nut w/Washer
11.	KE 088	2 Pole Terminal Strip
12.	KC 309	Standard Buss Bar Assembly
13.	KC 319	U-Terminal Assembly
14.	KE 332	#10-32 Hex Nut
15.	KE 080	Insulator
16.	KE 321	#10 Star Washer
17.	KM 067	Timer Motor (60 HZ)
18.	KE 317	#10-32 x 3/8" Machine Screw
19.	KM 333	1020/29 Power Supply Cord
20.	KM 300	Infinite Switch w/Pal Nut (240/220V)
	OR	
	KM 301	Infinite Switch w/Pal Nut (208)
21.	KC 189	10' Connecting wire, 18 Gauge
22.	KC 187	6' Connecting Wire, 18 Gauge
23.	KC 171	10,8,8 Wire Combo, 18 Gauge
24.	KC 177	6' Connecting Wire, 12 Gauge
25.	KC 178	18' Connecting Wire, 12 Gauge
26.	KC 163	EA Pilot Light
27.	KC 139	9' Connecting Wire, 12 Gauge
28.	KC 361	3 Position Switch
29.	KC 173	6, 4 Wire Combo, 18 Gauge



ELECTRICAL SCHEMATIC



208/240 VAC
60 HZ