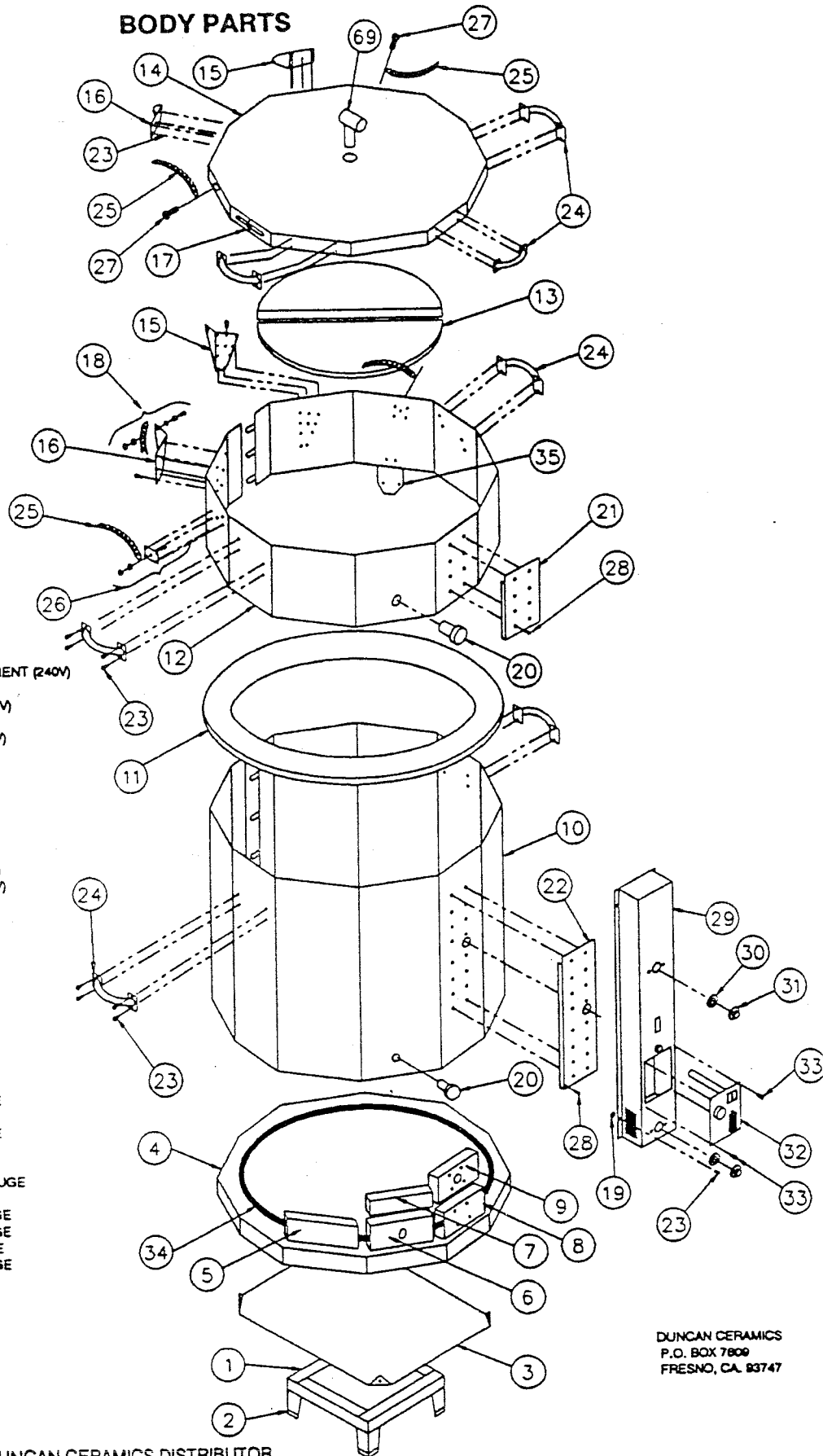


DUNCAN MODEL EA 1229-2

BODY PARTS



REF NO. 1. 2. 3. 4. 5. 6. 7. 8. 9. 10. 11. 12. 13. 14. 15. 16. 17. 18. 19. 20. 21. 22. 23. 24. 25. 26. 27. 28. 29. 30. 31. 32. 33. 34. OR 35. 36. 37. 38. 39. 40. 41. 42. 43. 44. 45. 46. 47. 48. 49. 50. 51. 52. 53. 54. 55. 56. 57. 58. 59. 60. 61. 62. 63. 64. 65. 66. 67. 68. 69.

PART NO.	DESCRIPTION
KC 089	EA 1229 STAND W/FEET
KE 030	STAND FEET
KP 304	1229 BASE PLATE
KC 009	1229 FIBER BOTTOM
KB 004	1229 GROOVED BRICK
KB 024	1229 PEEP-HOLE BRICK
KB 044	1229 HALF BRICK
KB 014	1229 TERMINAL BRICK
KB 064	1229 KILN SITTER BRICK
KC 087	EA 1229 LOWER CASE W/CLAMPS
KP 314	1/4" THICK FIBER GASKET (1229)
KC 086	EA 1229 UPPER CASE W/CLAMPS
KA 114	1229 HALF SHELF
KC 060	1229 FIBER LID W/BAND
KC 220	1229 RIGHT HINGE ASSEMBLY
KC 221	1229 LEFT HINGE ASSEMBLY
KE 045	CASE CLAMP
KC 222	HINGE PIVOT KIT
KE 341	1/8" STANDOFF
KA 032	PEEP-HOLE PLUG-3/4"
KP 024	COLLAR HEAT SHIELD
KP 029	1229 HEAT SHIELD
KE 301	#8 X 1/2" SHEET METAL SCREW
KE 009	HANDLE
KE 105	1229 LID CHAIN
KC 339	LID MOUNTING PLATE KIT
KE 304	#8-32 X 3/4" MACHINE SCREW
KE 302	#8 X 1" SHEET METAL SCREW
KC 068	EA 1229 CONTROL PANEL SHELL
KM 302	PAL NUT
KM 319	SWITCH KNOB-EA KILNS
KM 208	EA KILN-SITTER W/TIMER (240V)
KE 303	#8 X 1/2" SHEET METAL SCREW
KE 235	1229 TOP OR BOTTOM BANK ELEMENT (240V)
OR	
KE 236	1229 MIDDLE BANK ELEMENT (240V)
KE 110	LID LATCH
KM 300	INFINITE SWITCH W/PAL NUT (240V)
KM 362	CAPACITOR ASSM. #2
KM 324	POWER RELAY (240V)
KE 066	2 POLE TERMINAL STRIP
KM 361	3 POSITION SWITCH
KM 360	CONTROL RELAY (240V)
KM 383	FIBERGLASS SLEEVING
KM 343	CORD STRAIN RELIEF
KM 326	4800 REPEAT CYCLE TIMER (240V)
KM 325	4300 FIXED INTERVAL TIMER (240V)
KM 333	POWER SUPPLY CORD
KC 309	STANDARD BUSS BAR ASSEMBLY
KC 319	U-TERMINAL ASSEMBLY
KE 314	#6-32 X 1/2" MACHINE SCREW
KE 322	#6 STAR WASHER
KE 333	#6-32 HEX NUT
KE 060	INSULATOR
KE 307	#8-32 X 1-1/4" MACHINE SCREW
KE 329	#8-32 HEX NUT W/WASHER
KE 311	#10-32 X 3/8" MACHINE SCREW
KE 321	#10 STAR WASHER
KE 332	#10-32 HEX NUT
KC 139	9" CONNECTING WIRE, 12 GAUGE
KC 163	EA PILOT LIGHT
KC 167	8" CONNECTING WIRE, 16 GAUGE
KC 181	12, 9, 9 WIRE COMBO, 16 GAUGE
KC 182	22, 8, WIRE COMBO, 16 GAUGE
KC 183	6, 12, 12, 8, WIRE COMBO, 16 GAUGE
KC 184	22, 4, WIRE COMBO, 16 GAUGE
KC 185	25" CONNECTING WIRE, 16 GAUGE
KC 186	22" CONNECTING WIRE, 16 GAUGE
KC 182	8" CONNECTING WIRE, 12 GAUGE
KC 176	16" CONNECTING WIRE, 12 GAUGE
KA 031	LID VENT PLUG

DUNCAN CERAMICS
P.O. BOX 7809
FRESNO, CA. 93747

ORDER PARTS FROM YOUR AUTHORIZED DUNCAN CERAMICS DISTRIBUTOR