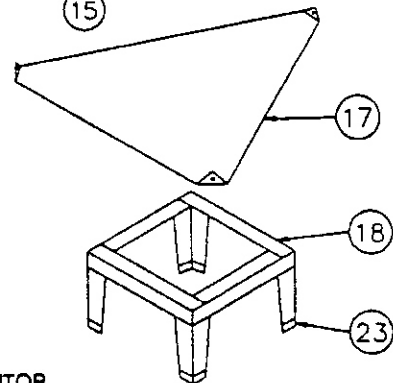
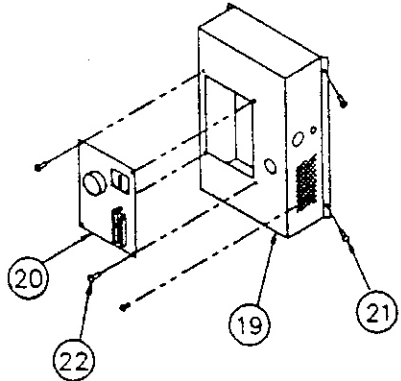
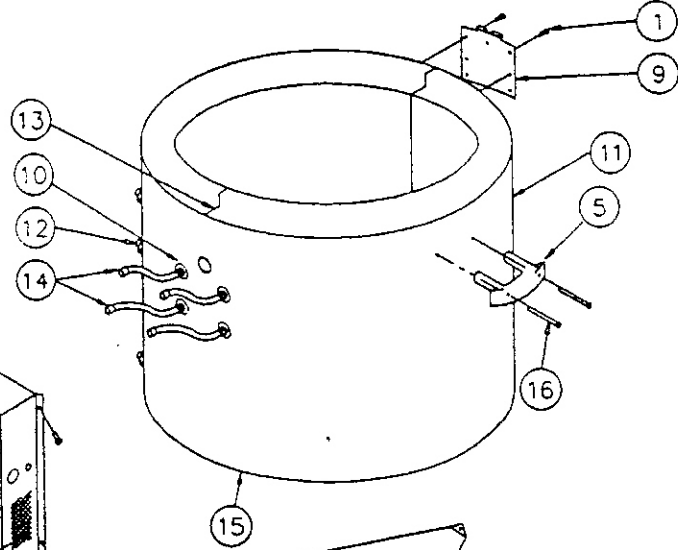
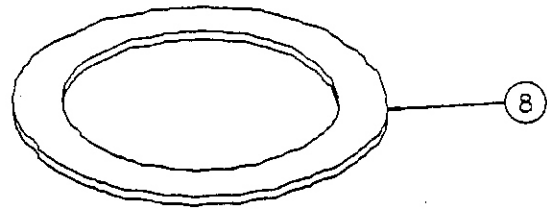
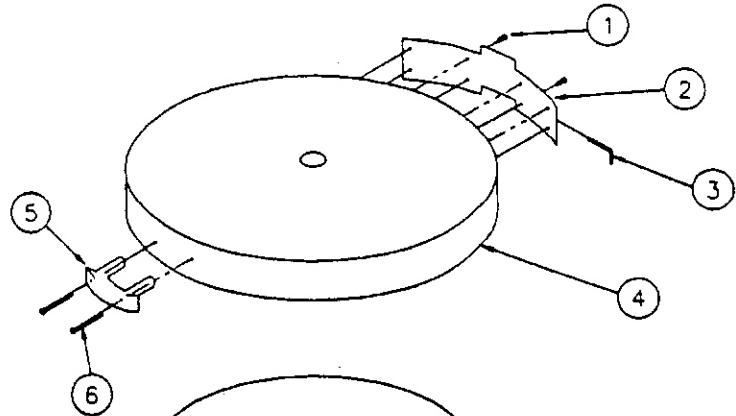


DUNCAN MODEL EA 092

BODY PARTS

REF. NO.	PART NO.	DESCRIPTION
1.	KE 301	#8 x 1/2" SHEET METAL SCREW
2.	KC 216	LID HINGE
3.	KC 217	HINGE PIN
4.	KC 020	LID W/BAND
5.	KE 013	HANDLE
6.	KE 316	#8-32 x 2" LID HANDLE SCREW
7.	KA 120	HEARTH PLATE
8.	KP 310	1/4 THICK FIBER GASKET
9.	KC 219	CASE HINGE
10.	KE 060	INSULATOR
11.	KC 094	CRAFTER CASE W/HANDLE HOLES
12.	KE 045	CASE CLAMP
13.	KE 260	ELEMENT ASSEMBLY
14.	KC 160	9" CONNECTING WIRE
15.	KC 007	FIBER BOTTOM
16.	KE 350	#10-32 x 2" MACHINE SCREW
17.	KP 315	CRAFTER BASE PLATE
18.	KC 065	STAND
19.	KC 037	CONTROL PANEL SHELL
20.	KM 207	KILN-SITTER W/TIMER
21.	KE 318	#8-32 x 1/2" MACHINE SCREW
22.	KE 303	#6 x 1/2" SHEET METAL SCREW
23.	KE 030	STAND FEET



DUNCAN CERAMICS
P.O. BOX 7609
FRESNO, CA. 93747

ORDER PARTS FROM YOUR AUTHORIZED DUNCAN CERAMICS DISTRIBUTOR