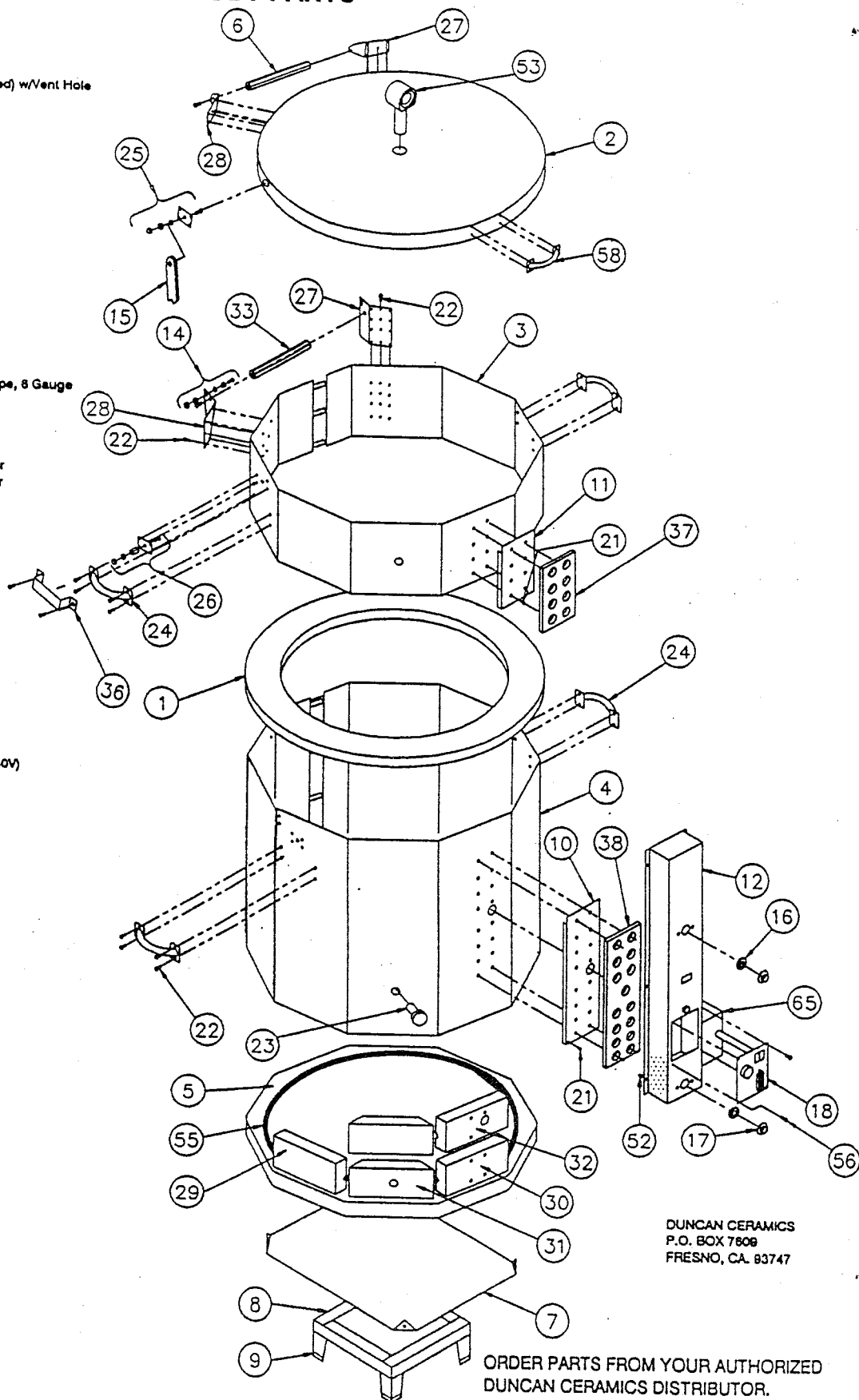


DUNCAN MODEL DB 1027-2C

BODY PARTS

REF. NO.	PART NO.	DESCRIPTION
1.	KP 318	1027 Fiber Gasket
2.	KC 310	1027 Brick Lid (Banded & Coated) w/Vent Hole
3.	KC 312	1027 Collar Case w/Clamps
4.	KC 313	1027 Case w/Clamps
5.	KC 311	1027 Brick Bottom
6.	KC 223	1020/29 Hinge Bar, Upper
7.	KP 303	Base Plate
8.	KC 073	Stand w/Feet
9.	KE 030	Stand Feet
10.	KP 033	1027 Heat Shield
11.	KP 034	1027 Collar Heat Shield
12.	KC 100	1027 Control Panel Shell
13.	KC 183	EA Pilot Light
14.	KC 222	Hinge Pivot Kit
15.	KC 112	1020/29 Lid Support
16.	KM 302	Pal Nut
17.	KM 310	Switch Knob
18.	KM 201	Kin-Sitter w/Safety Timer
19.	KC 355	8" Connecting Wire, 8 Gauge
20.	KC 356	8" Connecting Wire w/Green Tape, 8 Gauge
21.	KE 302	# 8 x 1" Sheet Metal Screw
22.	KE 301	# 8 x 1/2" Sheet Metal Screw
23.	KA 032	Peephole Plug
24.	KE 008	Handle
25.	KC 115	Lid Support Mounting Kit, Upper
26.	KC 116	Lid Support Mounting Kit, Lower
27.	KC 225	Right Hinge w/Pivot
28.	KC 226	Left Hinge w/Pivot
29.	KB 005	1027 Grooved Brick
30.	KB 015	1027 Terminal Brick
31.	KB 025	1027 Peephole Brick
32.	KB 055	1027 Kin-Sitter Brick
33.	KC 224	1020/29 Hinge Bar, Lower
34.	KE 086	2 Pole Terminal Strip
35.	KM 324	Power Relay
36.	KC 117	Lid Support Guard
37.	KC 118	Fiber Board, 1027 Collar
38.	KC 119	Fiber Board, 1027 Case
39.	KC 138	14" Connecting Wire, 12 Gauge
40.	KC 139	9" Connecting Wire, 12 Gauge
41.	KC 189	10" Connecting Wire, 18 Gauge
42.	KC 354	14" Connecting Wire, 18 Gauge
43.	KM 300	Infinite Switch w/Pal Nut (220/240V)
44.	KC 187	8" Connecting Wire, 18 Gauge
45.	KE 332	# 10-32 Hex Nut
46.	KE 333	# 8-32 Hex Nut
47.	KC 178	16" Connecting Wire, 12 Gauge
48.	KP 031	Terminal Block, 3 Pole
49.	KC 309	Standard Bus Bar Assembly
50.	KC 319	U-Terminal Assembly
51.	KE 060	Insulator
52.	KE 341	1/8" Standoff
53.	KA 031	Lid Vent Hole Plug
54.	KM 362	Capacitor Assembly #2
55.	KE 224	Top Four Elements (240V)
	KE 225	Middle Four Elements (240V)
	KE 226	Bottom Four Elements (240V)
56.	KE 303	# 6 x 1/2" Sheet Metal Screw
57.	KE 311	# 10-32 x 3/8" Machine Screw
58.	KE 008	Handle (for Round Lid)
59.	KE 314	# 8-32 x 1/2" Machine Screw
60.	KE 321	# 10 Star Washer
61.	KE 322	# 6 Star Washer
62.	KC 364	9" Connecting Wire, 12 Gauge
63.	KC 182	8" Connecting Wire, 12 Gauge
64.	KP 030	Junction Box
65.	KC 421	12" Connecting Wire, 12 Gauge
66.	KE 349	# 8-32 x 3/4" Machine Screw
67.	KM 383	4" Fiberglass Sleeving



DUNCAN CERAMICS
P.O. BOX 7608
FRESNO, CA. 93747

ORDER PARTS FROM YOUR AUTHORIZED
DUNCAN CERAMICS DISTRIBUTOR.