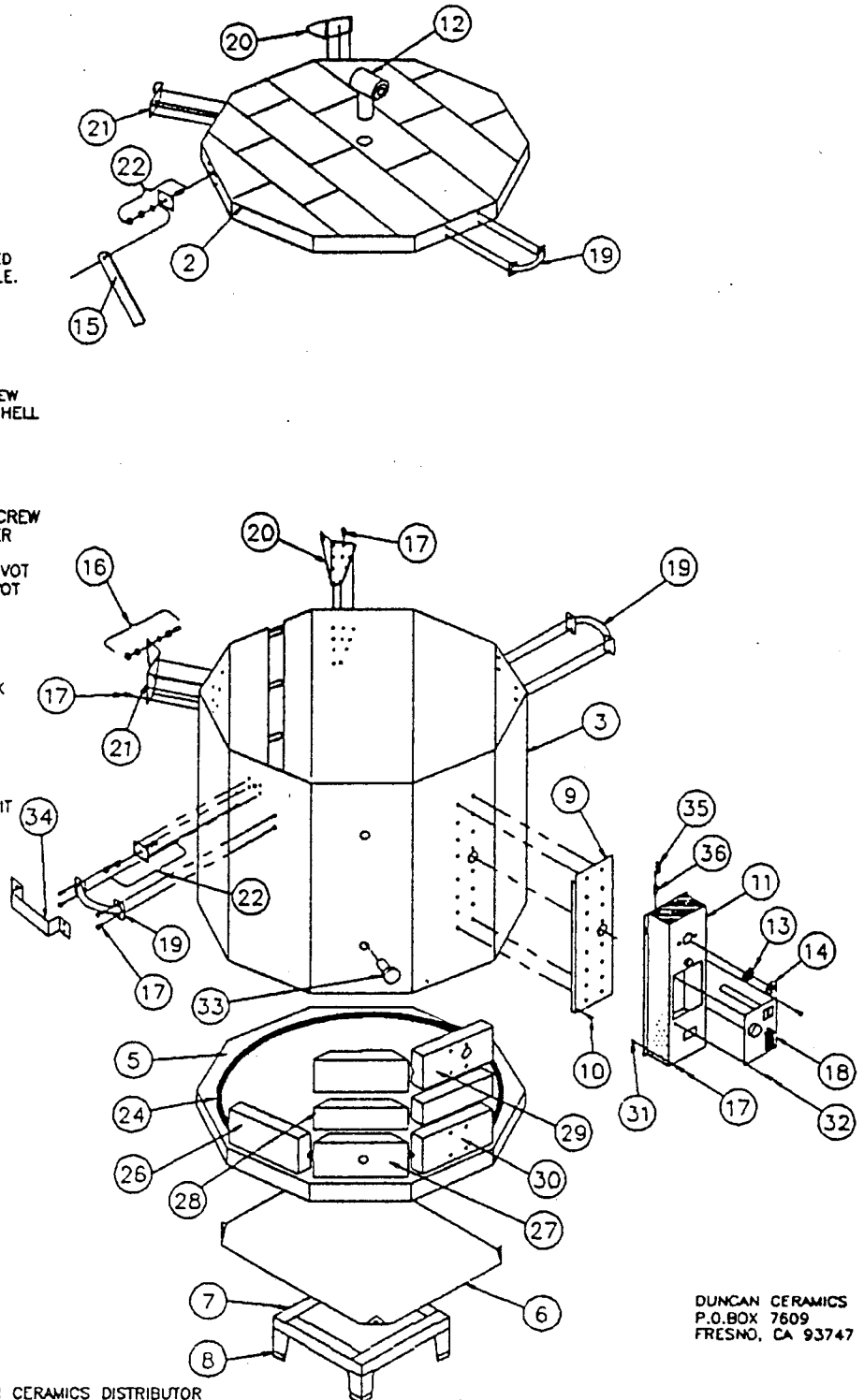


# DUNCAN EXPORT MODEL DA 1020-6G

## BODY PARTS

REF NO.	PART NO.	DESCRIPTION
2.	KC 016	1020/29 BRICK LID (BANDED & COATED) WITH VENT HOLE.
3.	KC 081	1020/29 CASE W/CLAMPS
5.	KC 003	1020/29 BRICK BOTTOM
6.	KP 303	1020/29 BASE PLATE
7.	KC 070	1020/29 STAND W/FEET
8.	KE 030	STAND FEET
9.	KP 028	820,1020/29 HEAT SHIELD
10.	KE 302	#8 X 1" SHEET METAL SCREW
11.	KC 080	EA 1020 CONTROL PANEL SHELL
12.	KE 031	LID VENT PLUG
13.	KM 302	PAL NUT
14.	KM 319	EA SWITCH KNOB
15.	KC 112	1020/29 LID SUPPORT
16.	KC 222	HINGE PIVOT KIT
17.	KE 301	#8 X 1/2" SHEET METAL SCREW
18.	KM 210	KILN-SITTER W/SAFETY TIMER
19.	KE 009	HANDLE
20.	KC 203	1020/29 RIGHT HINGE W/PIVOT
21.	KC 213	1020/29 LEFT HINGE W/PIVOT
22.	KC 115	LID SUPPORT MOUNTING KIT
24.	KE 223	1020/29 ELEMENT, 240V
26.	KB 003	1020/29 GROOVED BRICK
27.	KB 023	1020/29 PEEPHOLE BRICK
28.	KB 043	1020/29 HALF BRICK
29.	KB 053	1020/29 KILN-SITTER BRICK
30.	KB 013	1020/29 TERMINAL BRICK
31.	KE 341	1/8" STANDOFF
32.	KE 303	#6 X 1/2" SCREW
33.	KA 030	PEEPHOLE PLUG
34.	KC 117	LID SUPPORT GUARD
35.	KE 010	SWITCH BRACKET
36.	KE 111	TEFLON SWITCH ACTUATOR KIT



DUNCAN CERAMICS  
P.O. BOX 7609  
FRESNO, CA 93747

ORDER PARTS FROM YOUR AUTHORIZED DUNCAN CERAMICS DISTRIBUTOR

KDC063