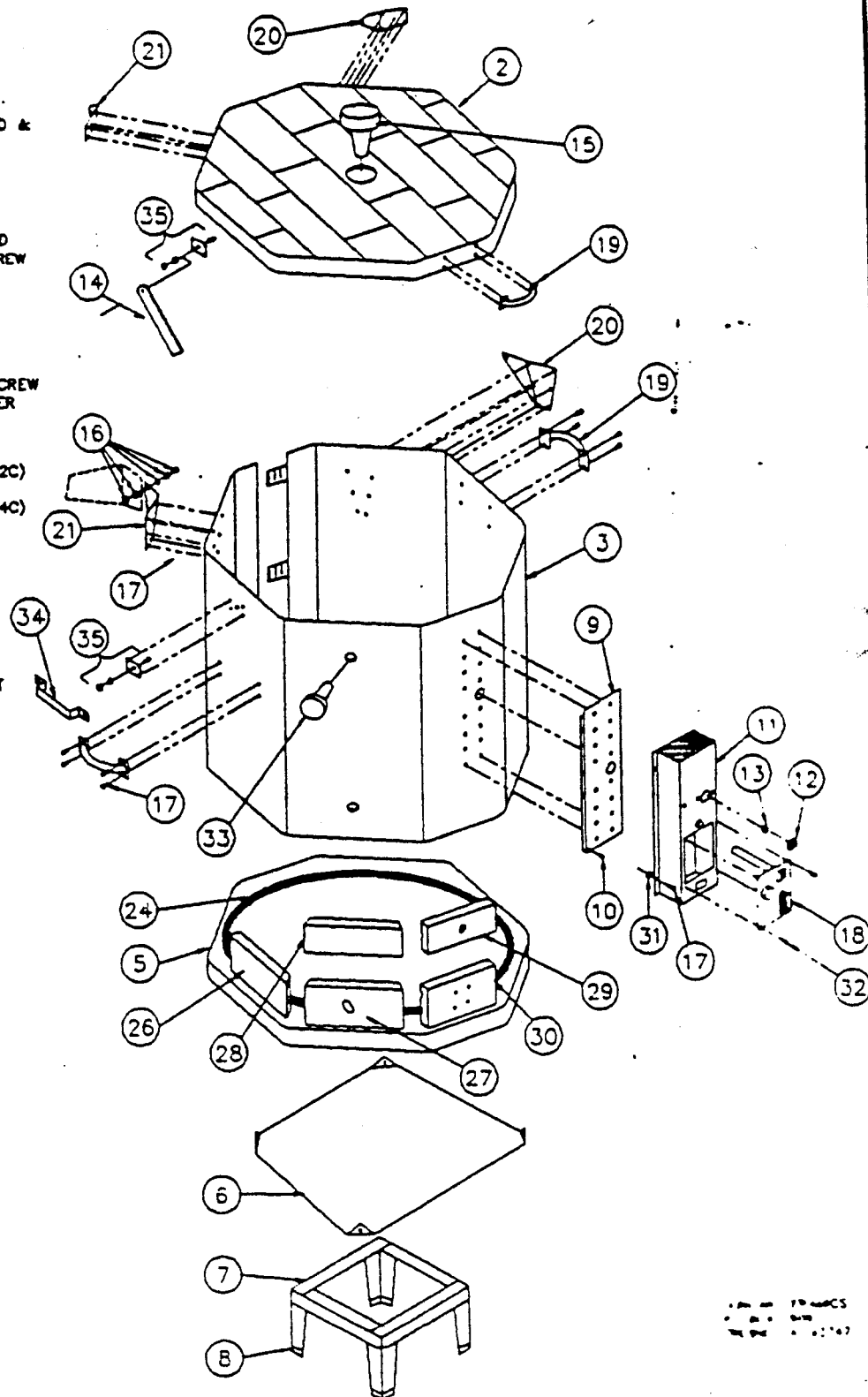


DUNCAN MODELS DA 820-2,-4

BODY PARTS

REF. NO.	PART NO.	DESCRIPTION
2.	KC 015	DA 820 BRICK LID (BANDED & COATED) WITH VENT HOLE
3.	KC 080	820 CASE W/CLAMPS
5.	KC 002	DA 820 BRICK BOTTOM
6.	KP 302	820 BASE PLATE
7.	KC 069	820 STAND W/FEET
8.	KC 030	STAND FEET
9.	KP 028	820, 1020/29 HEAT SHIELD
10.	KE 302	#8 X 1" SHEET METAL SCREW
11.	KC 058	CONTROL PANEL SHELL
12.	KM 319	EA SWITCH KNOB
13.	KW 302	PAL NUT
14.	KC 120	820 LID SUPPORT
15.	KA 031	LID VENT PLUG
16.	KC 222	HINGE PIVOT KIT
17.	KE 301	#8 X 1/2" SHEET METAL SCREW
18.	KM 208	KILN-SITTER W/SAFETY TIMER
19.	KE 009	HANDLE
20.	KC 204	820 RIGHT HINGE W/PIVOT
21.	KC 214	820 LEFT HINGE W/PIVOT
24.	KE 202	820 ELEMENT 240V (-2,-2C)
	OR	
	KE 212	820 ELEMENT 208V (-4,-4C)
26.	KB 002	820 GROOVED BRICK
27.	KB 022	820 PEEP HOLE BRICK
28.	KB 042	820 HALF BRICK
29.	KB 052	820 KILN-SITTER BRICK
30.	KB 012	820 TERMINAL BRICK
31.	KE 341	1/8" STANDOFF
32.	KE 303	#6 X 1/2" SCREW
33.	KA 030	PEEP HOLE PLUG
34.	KC 117	LID SUPPORT GUARD
35.	KC 116	LID SUPPORT MOUNTING KIT



ORDER PARTS FROM YOUR AUTHORIZED DUNCAN CERAMICS DISTRIBUTOR