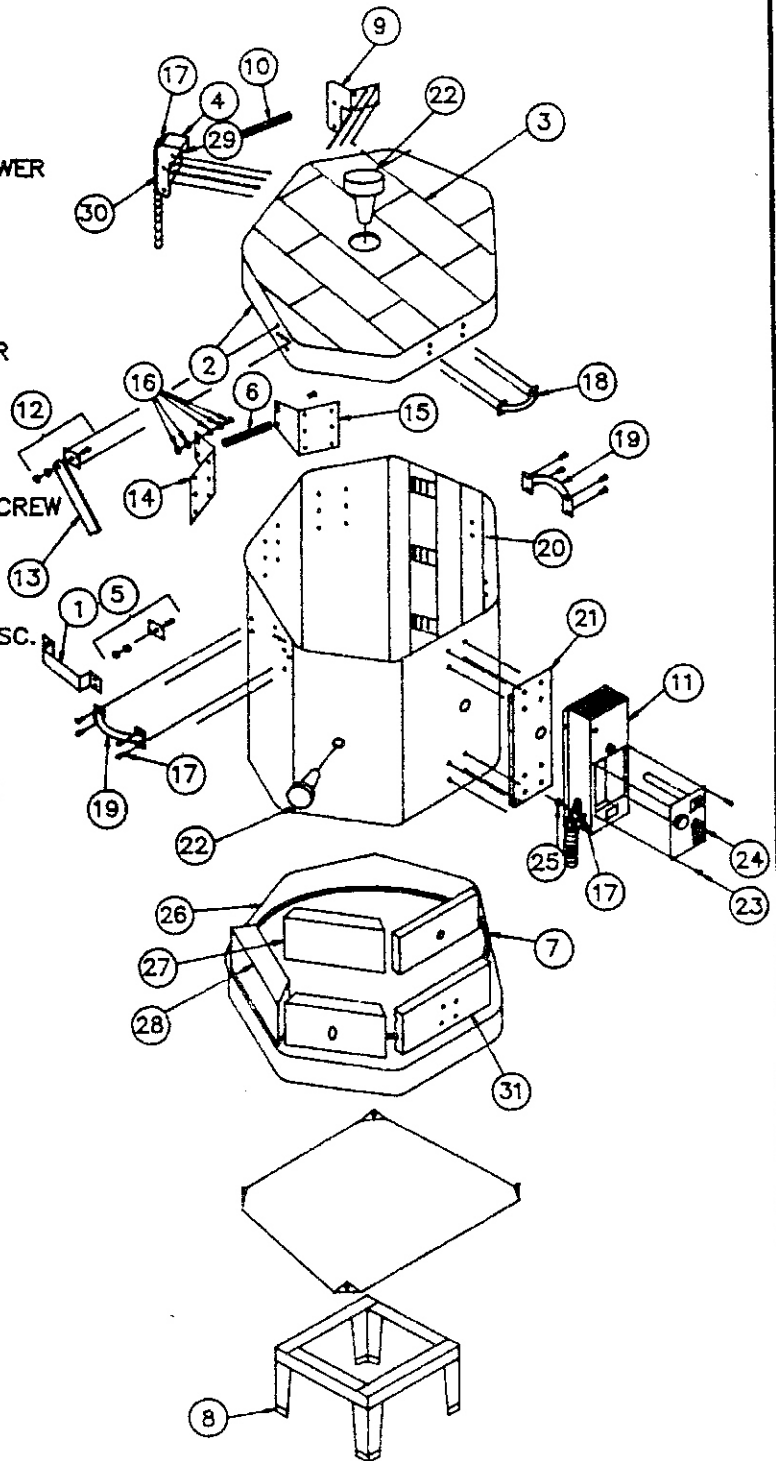


# DUNCAN MODEL DA714-6G

REF. PART  
NO. NO.

- 1. KC 117 LID SUPPORT GUARD
- 2. KC 467 LID BAND
- 3. KC 465 LID ASSEMBLY
- 4. KC 406 MERCURY SWITCH COVER
- 5. KC 116 LID SUPPORT MOUNT, LOWER
- 6. KC 474 HINGE BAR, BOTTOM
- 7. KM 349 ELEMENTS 714 230V
- 8. KC 030 STAND FEET
- 9. KC 471 HINGE TOP, RIGHT
- 10. KC 472 HINGE BAR, TOP
- 11. KC 473 CONTROL PANEL SHELL
- 12. KC 115 LID MOUNTING KIT, UPPER
- 13. KC 463 LID SUPPORT BAR
- 14. KC 468 HINGE BOTTOM, LEFT
- 15. KC 470 HINGE BOTTOM, RIGHT
- 16. KC 222 HINGE PIVOT KIT
- 17. KM 403 1/2" 90 FITTING
- 18. KE 301 #8 x 1" SHEET METAL SCREW
- 19. KE 009 HANDLE
- 20. KC 464 714 CASE W/CLAMPS
- 21. KP 318 HEAT SHIELD
- 22. KA 030 PEEPHOLE PLUG
- 23. KE 303 #6 x 1/2" SHEET METAL SC.
- 24. KM 210 KILN SITTER W/SOLENOID
- 25. KE 224 1/8" STAND OFF
- 26. KC 466 BOTTOM ASSEMBLY
- 27. KB 068 714 END/BEV BRICK
- 28. KB 066 714 WALL BRICK
- 29. KM 404 MERCURY SAFETY SWITCH
- 30. KC 469 HINGE TOP, LEFT
- 31. KB 067 714 TERM BRICK

## BODY PARTS



KD0072

LX966