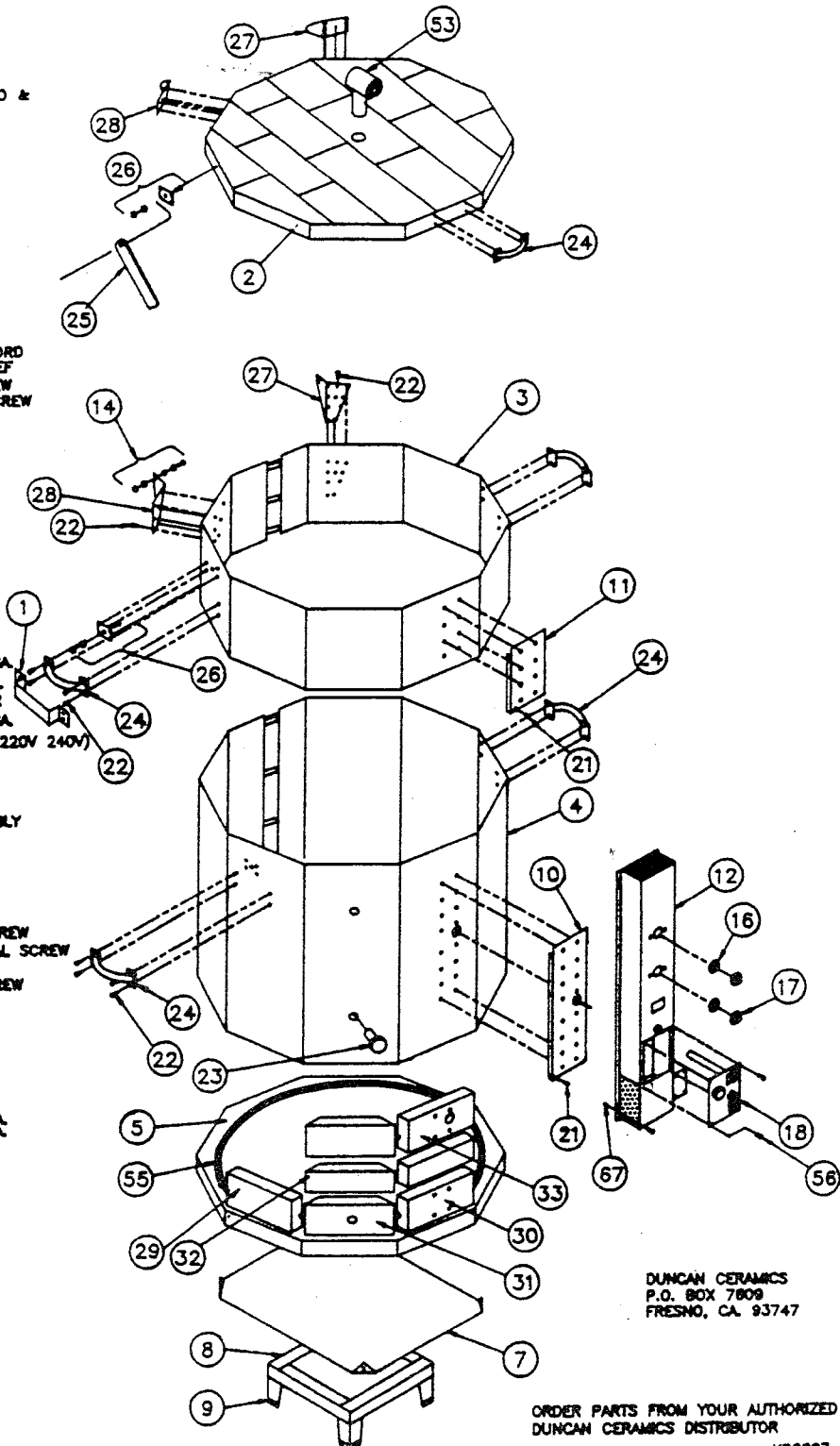


# DUNCAN MODELS DA 1029-4

## BODY PARTS

REF. PART NO.	DESCRIPTION
1.	KC 117 LID SUPPORT GUARD
2.	KC 016 1020/29 BRICK LID (BANDED & COATED) WITH VENT HOLE
3.	KC 049 COLLAR CASE W/CLAMPS
4.	KC 048 CASE W/CLAMPS
5.	KC 003 1020/29 BRICK BOTTOM
7.	KP 303 BASE PLATE
8.	KC 070 STAND W/FEET
9.	KE 030 STAND FEET
10.	KP 028 HEAT SHIELD
11.	KP 024 COLLAR HEAT SHIELD
12.	KC 035 CONTROL PANEL SHELL
13.	KA 183 PILOT LIGHT
14.	KC 222 HINGE PIVOT KIT
16.	KM 302 PAL NUT
17.	KM 319 EA SWITCH KNOB
18.	KM 400 ASD
19.	KM 333 1020/29 POWER SUPPLY CORD
20.	KE 343 1020/29 CORD STRAIN RELIEF
21.	KE 302 #8 X 1" SHEET METAL SCREW
22.	KE 301 #8 X 1/2" SHEET METAL SCREW
23.	KA 030 PEEPHOLE PLUG
24.	KE 009 HANDLE
25.	KC 112 1020/29 LID SUPPORT
26.	KC 115 LID SUPPORT MOUNTING KIT
27.	KC 203 RIGHT HINGE W/PIVOT
28.	KC 213 LEFT HINGE W/PIVOT
29.	KB 003 GROOVED BRICK
30.	KB 013 TERMINAL BRICK
31.	KB 023 PEEPHOLE BRICK
32.	KB 043 HALF BRICK
33.	KB 053 KILN SITTER BRICK
34.	KE 096 2 POLE TERMINAL STRIP
35.	KM 324 POWER RELAY
36.	KM 323 2 IN 1 TIMER
38.	KE 307 #8-32 X 1 1/4" SCREW
39.	KC 138 1/4" CONNECTING WIRE, 12 GA.
40.	KC 139 9" CONNECTING WIRE, 12 GA.
41.	KE 329 #8-32 NUT W/LOCK WASHER
42.	KC 169 10" CONNECTING WIRE, 18 GA.
43.	KM 300 INFINITE SWITCH W/PAL NUT(220V 240V)
44.	KC 418 18.4 WIRE COMBO 18 GA.
45.	KC 173 6.4 WIRE COMBO 18 GA.
47.	KC 177 6" CONNECTING WIRE
48.	KM 383 4" FIBERGLASS SLEEVING
49.	KC 309 STANDARD BUSS BAR ASSEMBLY
50.	KC 319 U-TERMINAL ASSEMBLY
51.	KE 080 INSULATOR
52.	KC 361 3 POSITION SWITCH
53.	KA 031 LID VENT PLUG
54.	KM 382 CAPACITOR ASSEMBLY #2
55.	KE 233 ELEMENTS (208V)
56.	KE 303 #8 X 1/2" SHEET METAL SCREW
57.	KE 311 #10-32 X 1/2" SHEET METAL SCREW
58.	KC 179 16" WIRE 12 GA.
60.	KE 314 #6-32 X 1/2" MACHINE SCREW
61.	KE 321 #10 STAR WASHER
62.	KE 322 #8 STAR WASHER
63.	KC 184 22.4 WIRE COMBO 18 GA.
64.	KC 162 6" CONNECTING WIRE 12 GA.
65.	KE 332 #10 HEX NUT
66.	KE 333 #8 HEX NUT
67.	KE 341 1/8" STAND OFF
68.	KC 180 20" CONNECTING WIRE 12 GA.
69.	KC 419 15" CONNECTING WIRE 18 GA.



DUNCAN CERAMICS  
P.O. BOX 7809  
FRESNO, CA. 93747

ORDER PARTS FROM YOUR AUTHORIZED  
DUNCAN CERAMICS DISTRIBUTOR

KD0087