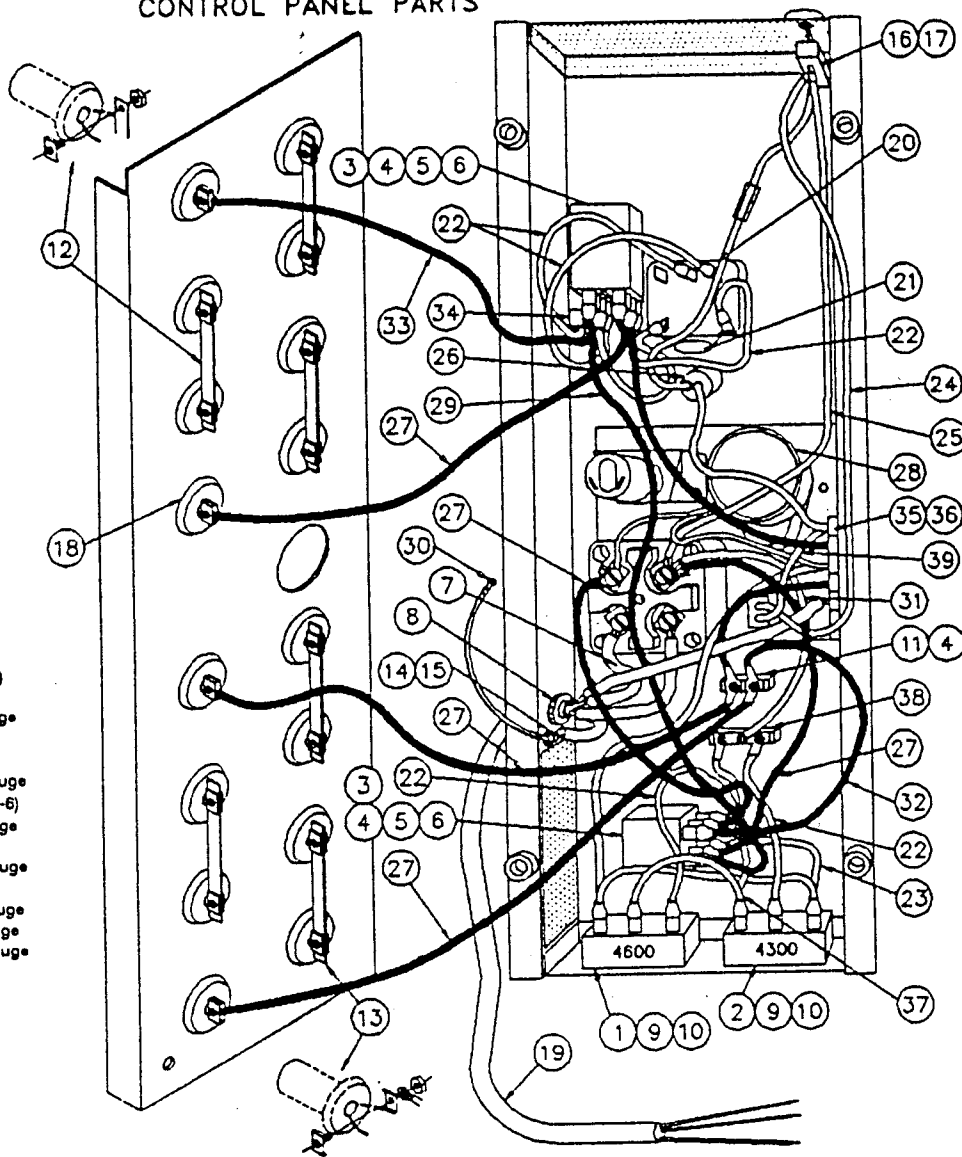


# DUNCAN EXPORT MODEL DA 1020-6G

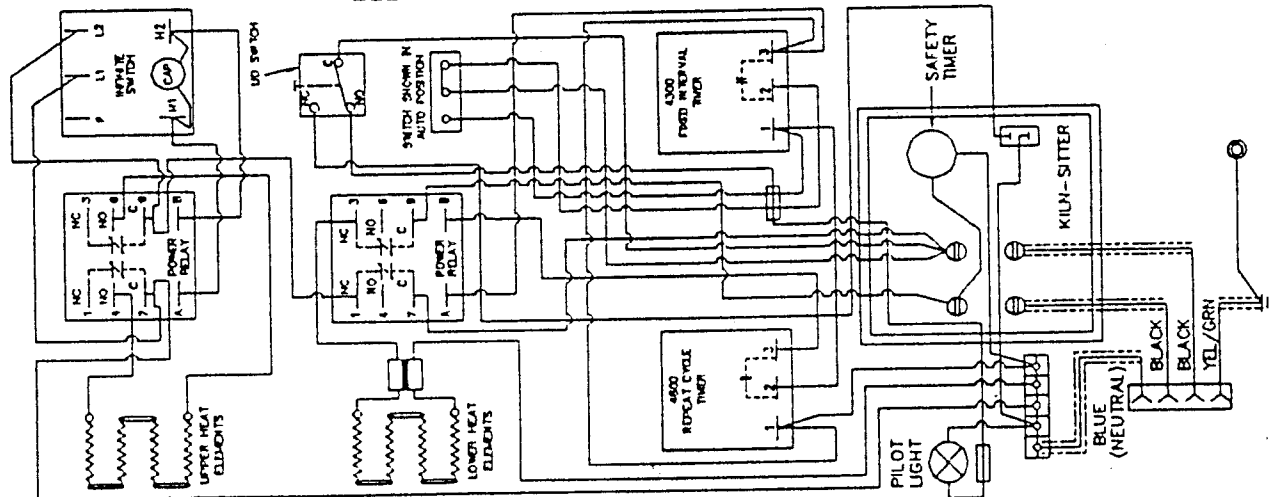
## CONTROL PANEL PARTS

REF. PART

| NO. | PART NO. | DESCRIPTION                            |
|-----|----------|--|
| 1.  | KM 326   | 4600 Repeat Cycle Timer (240/220V)     |
| 2.  | KM 325   | 4300 Fixed Interval Timer (240/220V)   |
| 3.  | KM 324   | Power Relay (240/220V)                 |
| 4.  | KE 314   | #6-32 X 1/2" Machine Screw             |
| 5.  | KE 322   | #6 Star Washer                         |
| 6.  | KE 333   | #6-32 Hex Nut                          |
| 7.  | KM 385   | #1 x 5" Fiberglass Sleeving            |
| 8.  | KM 342   | 820, 1020/29 Cord Strain Relief        |
| 9.  | KE 307   | #8-32 x 1-1/4" Machine Screw           |
| 10. | KE 329   | #8-32 Hex Nut w/Washer                 |
| 11. | KE 098   | 2 Pole Terminal Strip                  |
| 12. | KC 309   | Standard Buss Bar Assembly             |
| 13. | KC 319   | U-Terminal Assembly                    |
| 14. | KE 315   | #10-32 x 1/2" Tamperproof Screw        |
| 15. | KE 334   | #10-32 Hex Nut w/Washer                |
| 16. | KM 309   | Lid Safety Switch                      |
| 17. | KM 363   | Lid Switch Mounting Kit                |
| 18. | KE 060   | Insulator                              |
| 19. | KM 323   | 820-7/8 1020 Power Supply Cord         |
| 20. | KM 300   | Infinite Switch w/Pal Nut (240V/220V)  |
| 21. | KM 362   | Capacitor Assembly #2                  |
| 22. | KC 187   | 6' (15 cm) Connecting Wire, 18 Gauge   |
| 23. | KC 193   | 10,6,6 Wire Combo, 18 Gauge            |
| 24. | KC 144   | 14' Connecting wire, 18 Gauge          |
| 25. | KC 131   | 14' (36 cm) Connecting Wire, 18 Gauge  |
| 26. | KC 194   | Pilot Light Assembly (EA 820-8/1020-6) |
| 27. | KC 139   | 9' (23 cm) Connecting Wire, 12 Gauge   |
| 28. | KM 089   | Timer Motor, 50 HZ                     |
| 29. | KC 178   | 14' (25 cm) Connecting Wire, 12 Gauge  |
| 30. | KC 150   | 9' (23 cm) Ground Wire                 |
| 31. | KC 189   | 10' (25 cm) Connecting wire, 16 Gauge  |
| 32. | KC 177   | 6' (15 cm) Connecting Wire, 12 Gauge   |
| 33. | KC 138   | 14' (36 cm) Connecting Wire, 12 Gauge  |
| 34. | KE 095   | T-Terminal Adaptor                     |
| 35. | KE 101   | Terminal Block Assembly                |
| 36. | KE 061   | Dielectric Insulation for KE 101       |
| 37. | KC 173   | 6,4 Wire Combo, 18 Gauge               |
| 38. | KM 361   | 3 Position Switch                      |
| 39. | KC 372   | 4' Connecting Wire, 16 Gauge           |



## ELECTRICAL SCHEMATIC



2 PHASE  
220/380 VAC  
240/415 VAC  
50 HZ

KD0037