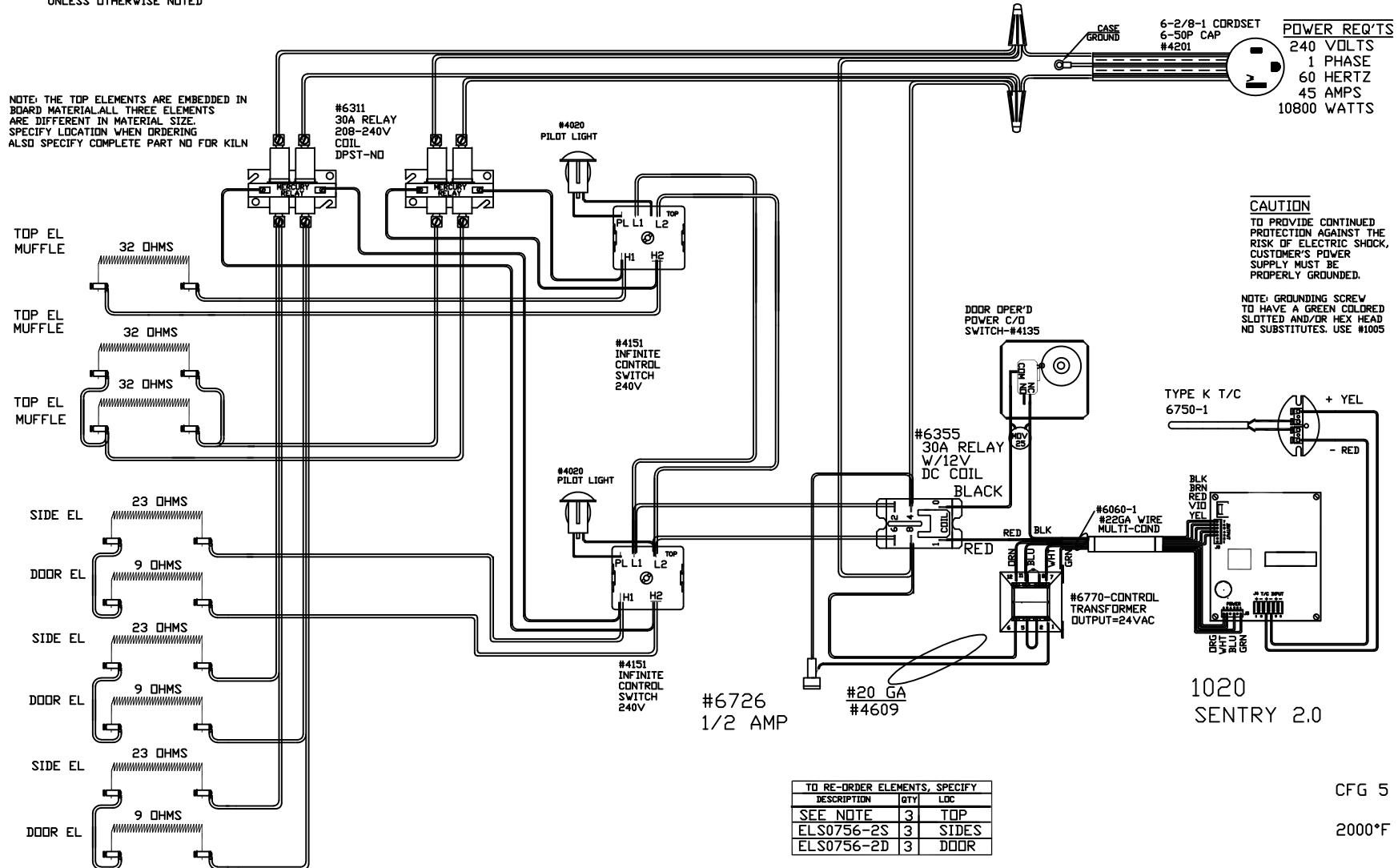


WIRING NOTE

ALL WIRES #14 AWG,
TYPE SEW/SF2 MINIMUM
UNLESS OTHERWISE NOTED

NOTE: THE TOP ELEMENTS ARE EMBEDDED IN BOARD MATERIAL. ALL THREE ELEMENTS ARE DIFFERENT IN MATERIAL SIZE. SPECIFY LOCATION WHEN ORDERING. ALSO SPECIFY COMPLETE PART NO FOR KILN



POWER REQ'TS
240 VOLTS
1 PHASE
60 HERTZ
45 AMPS
10800 WATTS

CAUTION
TO PROVIDE CONTINUED PROTECTION AGAINST THE RISK OF ELECTRIC SHOCK, CUSTOMER'S POWER SUPPLY MUST BE PROPERLY GROUNDED.

NOTE: GROUNDING SCREW TO HAVE A GREEN COLORED SLOTTED AND/OR HEX HEAD NO SUBSTITUTES. USE #1005

TO RE-ORDER ELEMENTS, SPECIFY		
DESCRIPTION	QTY	LOC
SEE NOTE	3	TOP
ELS0756-2S	3	SIDES
ELS0756-2D	3	DOOR

CFG 5
2000°F

BLACK

REV	DATE	BY	DESCRIPTION
-	5/22/02	DTB	
A	8/31/04	DTB	REVERSED ICSW & MDR WIRING

SWITCH BOX ASSY- 40821-8

PARAGON INDUSTRIES
2011 SOUTH TOWN EAST BLVD
MESQUITE, TEXAS 75149

WIRING DIAGRAM

240V 1 PHASE 60HZ 10800WATTS

PART NO S0756-2

GL24AD W/IC TS&DF

REV A
FILE