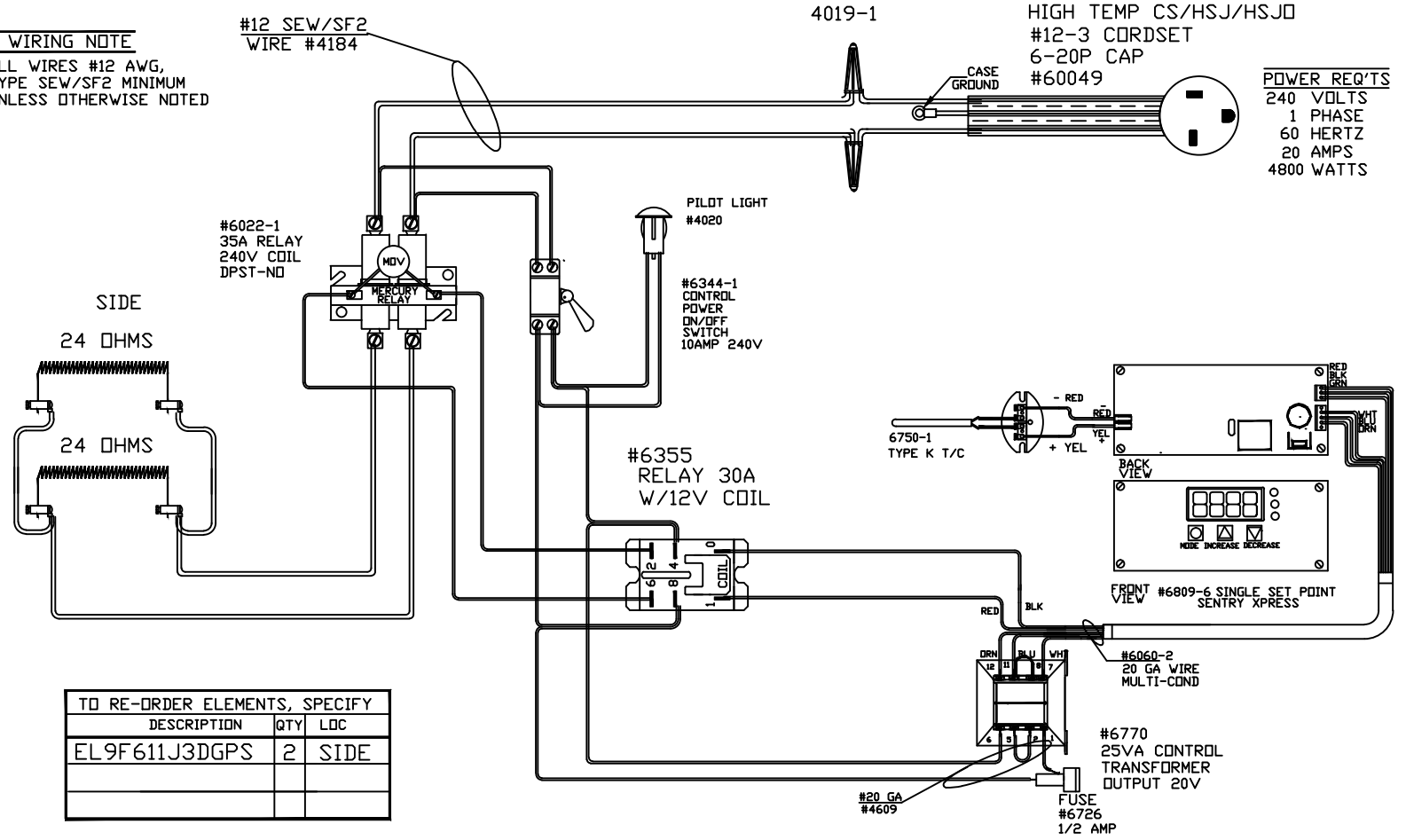


PART NO 9F611J3DGP

**WIRING NOTE**  
 ALL WIRES #12 AWG,  
 TYPE SEW/SF2 MINIMUM  
 UNLESS OTHERWISE NOTED



**POWER REQ/TS**  
 240 VOLTS  
 1 PHASE  
 60 HERTZ  
 20 AMPS  
 4800 WATTS

TO RE-ORDER ELEMENTS, SPECIFY		
DESCRIPTION	QTY	LOC
EL9F611J3DGPS	2	SIDE

NOTE: PLEASE REFER  
 TO THIS NUMBER WHEN  
 ORDERING PARTS FOR  
 THIS KILN

CFG 1  
 1700°F  
 BLACK  
 TUV CERTIFIED

REV	DATE	BY	DESCRIPTION	SWITCH BOX ASSY- 42260-6	WIRING DIAGRAM	PART NO.	REV
-	8/22/14	DTB		PARAGON INDUSTRIES 2011 SOUTH TOWN EAST BLVD MESQUITE, TEXAS 75149	240V, 1 PHASE ,60HZ ,4800WATTS	9F611J3DGP	-
						KL18X13X18 SF	FILE