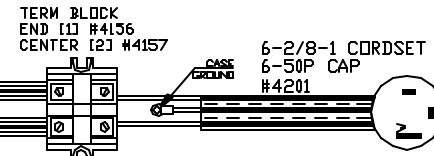


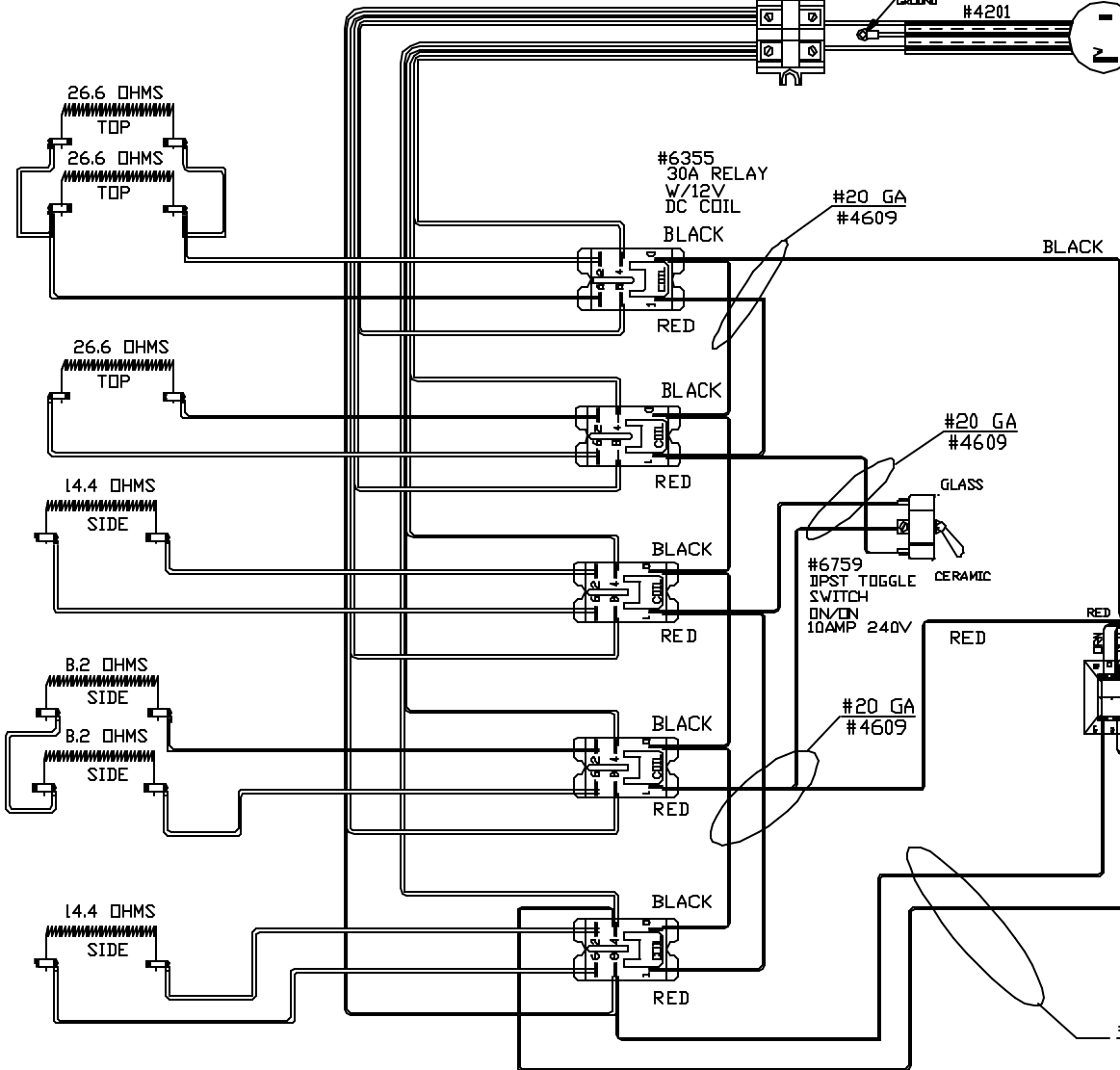
PART NO 25611N1G00



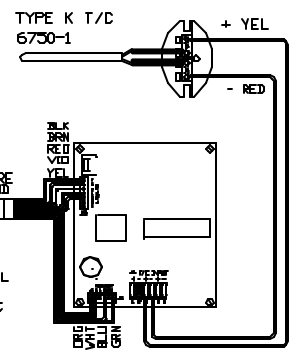
POWER REQ'TS
 240 VOLTS
 1 PHASE
 60 HERTZ
 48 AMPS
 11500 WATTS

CAUTION
 TO PROVIDE CONTINUED PROTECTION AGAINST THE RISK OF ELECTRIC SHOCK, CUSTOMER'S POWER SUPPLY MUST BE PROPERLY GROUNDED.

NOTE: GROUNDING SCREW TO HAVE A GREEN COLORED SLOTTED AND/OR HEX HEAD. NO SUBSTITUTES. USE #10DS



WIRING NOTE
 ALL WIRES #14 AWG, TYPE SEW/SF2 MINIMUM UNLESS OTHERWISE NOTED



CONE FIRE SENTRY 2.0

TO RE-ORDER ELEMENTS, SPECIFY		
DESCRIPTION	QTY	LDC
EL25611N1G00STB	2	SIDES
EL25611N1G00SM	2	SIDES
EL25611N1G00T	3	TOP

CFG 21
 2350° F

REV	DATE	BY	DESCRIPTION
-	8/12/04	DTB	
A	6/19/07	RN	ADDED 4TH RELAY
B	7/11/07	RN	ADDED 5TH RELAY, ADDED TERMINAL BLOCKS

SWITCH BOX ASSY- 4978-4

PARAGON INDUSTRIES
 2011 SOUTH TOWN EAST BLVD
 MESQUITE, TEXAS 75149

WIRING DIAGRAM

240V, 1 PHASE, 60HZ, 11500WATTS

PART NO. 25611N1G00

DP273 SEN-C

REV B
 FILE