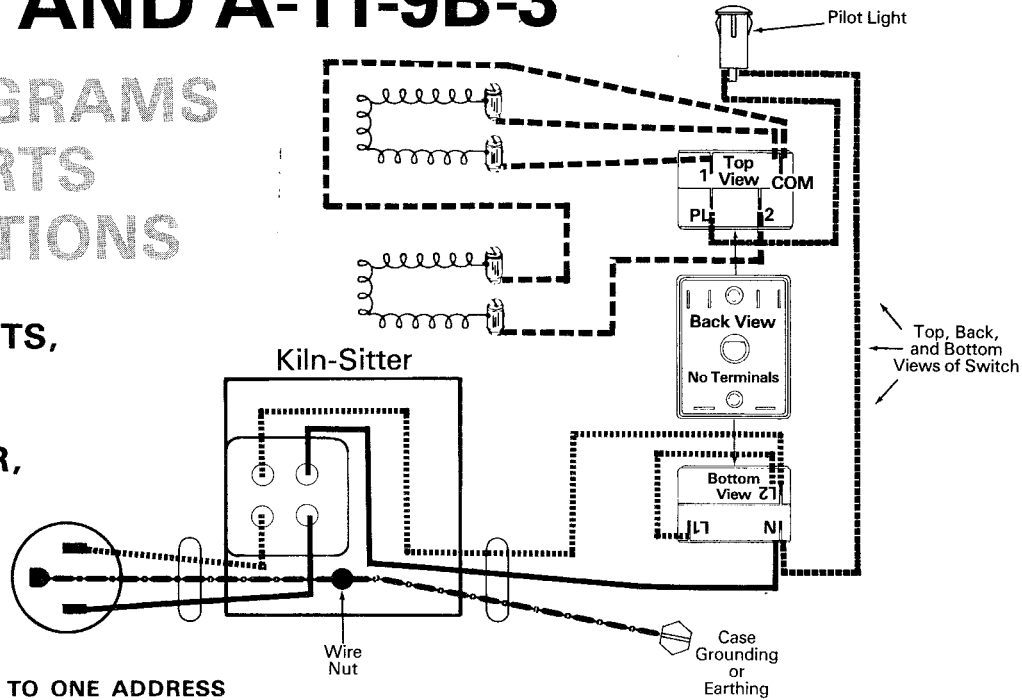


PARAGON KILN MODELS A-11-9B AND A-11-9B-3

WIRING DIAGRAMS AND PARTS IDENTIFICATIONS

WHEN ORDERING PARTS, ALWAYS SPECIFY MODEL NUMBER, REFERENCE NUMBER, PART NUMBER, AND DESCRIPTION



MERCHANDISE TO BE SHIPPED TO ONE ADDRESS ON ONE ORDER **MUST TOTAL \$5.00** BEFORE THE POSTAGE AND HANDLING CHARGES ARE ADDED.

Model Numbers ending in "3" have special 3" walls. The letter "B" following the Model Number means the kiln has a stainless steel jacket.

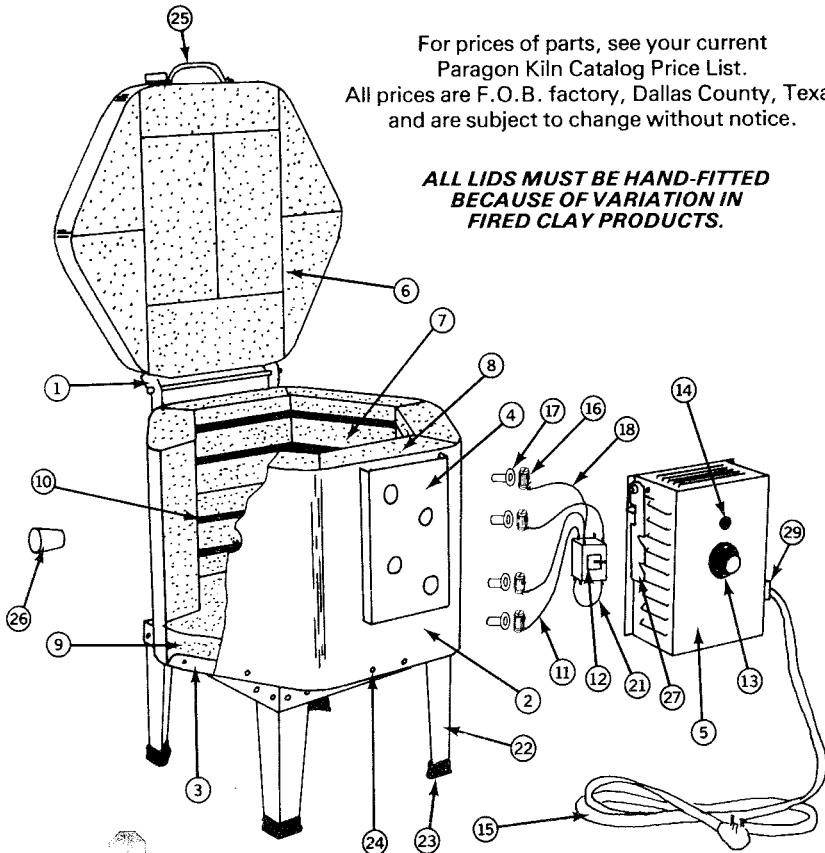
Specify complete model number when ordering insulating firebrick, metal jacket parts, and elements.

PARAGON KILN MODELS A-11-9B and A-11-9B-3

REF. NO.	PART NO.	DESCRIPTION
METAL JACKET PARTS		
1.	Specify Model	Hinge, complete, gray
2.	Specify Model	Form-Fitted Jacket, stainless
3.	Specify Model	Full-Formed Steel Base
4.	Specify Model	Heat Shield
5.	Specify Model	Ventilated Switch Box, metal only, gray
INSULATING FIREBRICK		
6.	Specify Model	Brick Lid with Band, stainless (less hardware)
7.	Specify Model	4" Straight Grooved Wall Brick
8.	Specify Model	4" Terminal Wall Brick
9.	Specify Model	Brick Bottom, only
ELECTRICAL PARTS		
10.	EL.A-11-9	Heating Element for A-11-9B, A-11-9B-3
11.	WR-4	#14 Switch-to-Element Lead Wires, push-on terminal one end
12.	SW-4	Switch, 26 amp, A-21 4-way Rotary (HIGH, MED, LOW, OFF) for push-on terminals
13.	KN-3	Knob for 4-way Rotary Switch A-21 silver center
14.	MS-8	Pilot Light with Lead Wires, complete
15.	CR-4	14-3, 120 v., 6 ft. cord with plug
16.	MS-6	Element Connectors
17.	MS-1	Porcelain Insulators (1 1/8" long)
18.	WR-14	#14 Double Switch-to-Element Lead Wires, push-on terminal one end
*19.	WR-11	Sitter-to-Switch Box Jumper Wires (not shown)
*20.	MS-4	Small Wire Connector (not shown)
21.	---	Switch Terminal L1-to-Terminal L2 Jumper Wire (A replacement jumper wire with push-on connections can be made with a wire from WR-7 and a terminal from TR-5.)
OTHER REPLACEMENT PARTS		
22.	ST-4	Kiln Stand, 12" square for 6-sided A-series
23.	ST-1	Plastic Feet, only, for kiln stand
24.	HW-8	#8 Plated Metal Screws
25.	HW-4	Lid Handle for small A-series (8-sided or less)
26.	PL-2	Peephole Plug, Cone Shaped for A-series
27.	HW-7	Fall Away Prop-R-Vent Kit
*28.	Specify Model	Conduit for Kiln Sitter Wires (not shown)
29.	Specify Model	Cord Clamp

For prices of parts, see your current Paragon Kiln Catalog Price List. All prices are F.O.B. factory, Dallas County, Texas and are subject to change without notice.

ALL LIDS MUST BE HAND-FITTED BECAUSE OF VARIATION IN FIRED CLAY PRODUCTS.



Paragon INDUSTRIES
BOX 808
MESQUITE, TEXAS 75149 - 0170