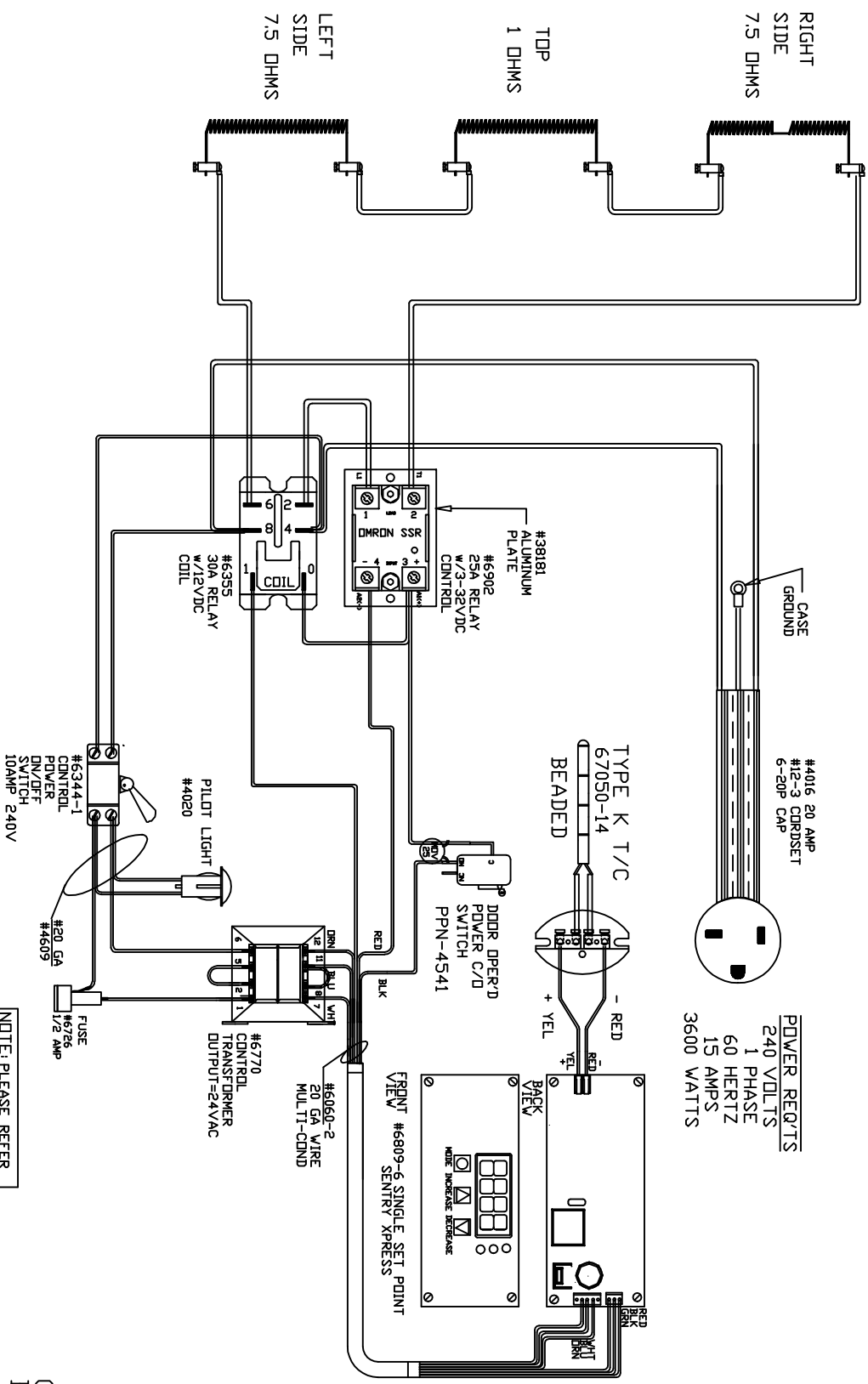


| TO RE-ORDER ELEMENTS, SPECIFY | | |
|-------------------------------|-----|------|
| DESCRIPTION | QTY | LDC |
| EL007,51133-72 | 2 | SIDE |
| EL001,01133-10 | 1 | TDP |

PART NO SF612JMD00

WIRING NOTE
 ALL WIRES #14 AWG,
 TYPE SEW/SF2 MINIMUM
 UNLESS OTHERWISE NOTED



POWER REQ'TS
 240 VOLTS
 1 PHASE
 60 HERTZ
 15 AMPS
 3600 WATTS

| REV | DATE | BY | DESCRIPTION | PAR. NO | REV |
|-----|---------|-----|---------------------------|------------|-----|
| - | 6/27/18 | MHK | SWITCH BOX ASSY- 42271-49 | SF612JMD00 | - |
| | | | PARAGON INDUSTRIES | KM36T | |
| | | | 2011 SOUTH TOWN EAST BLVD | | |
| | | | MESQUITE, TEXAS 75149 | | |

CFG 1
 BLACK
 2350°F

NOTE: PLEASE REFER
 TO THIS NUMBER WHEN
 ORDERING PARTS FOR
 THIS KILN

WIRING DIAGRAM

240V, 1 PHASE, 15A, 60HZ, 3600 WATTS