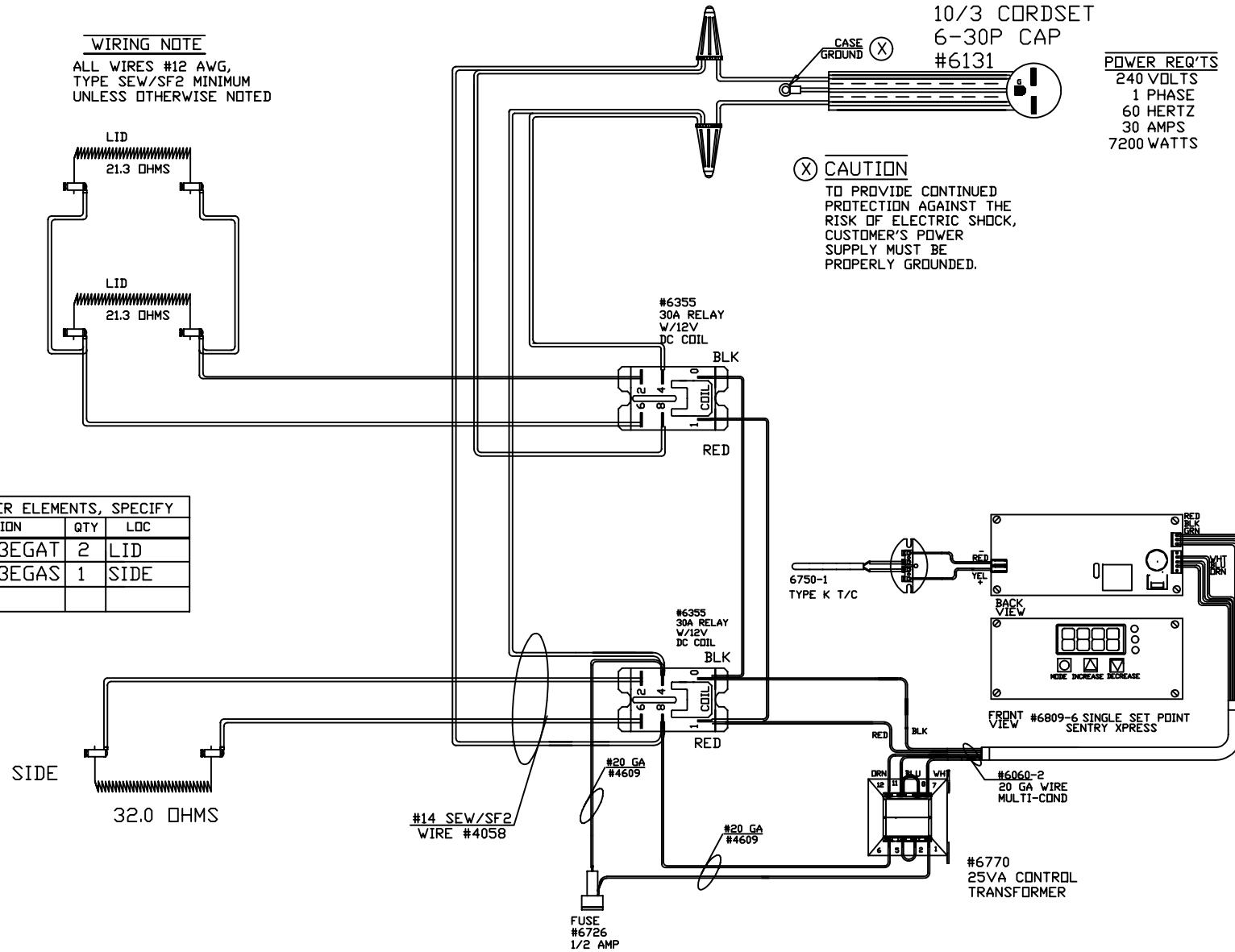


**WIRING NOTE**  
 ALL WIRES #12 AWG,  
 TYPE SEW/SF2 MINIMUM  
 UNLESS OTHERWISE NOTED

**POWER REQ'TS**  
 240 VOLTS  
 1 PHASE  
 60 HERTZ  
 30 AMPS  
 7200 WATTS

**CAUTION**  
 TO PROVIDE CONTINUED  
 PROTECTION AGAINST THE  
 RISK OF ELECTRIC SHOCK,  
 CUSTOMER'S POWER  
 SUPPLY MUST BE  
 PROPERLY GROUNDED.



TO RE-ORDER ELEMENTS, SPECIFY		
DESCRIPTION	QTY	LOC
EL49611J3EGAT	2	LID
EL49611J3EGAS	1	SIDE

CFG 1  
 1700°F  
 TUV CERTIFIED

REV	DATE	BY	DESCRIPTION
-	11/11/96	DTB	
A	12/28/06	MAF	ADDED 2ND RELAY

SWITCH BOX ASSY- 42018-19  
 PARAGON INDUSTRIES  
 2011 SOUTH TOWN EAST BLVD  
 MESQUITE, TEXAS 75149

WIRING DIAGRAM  
 240V, 1 PHASE, 60HZ 7200 WATTS

PART NO	49611J3EGA	REV	A
		FILE	