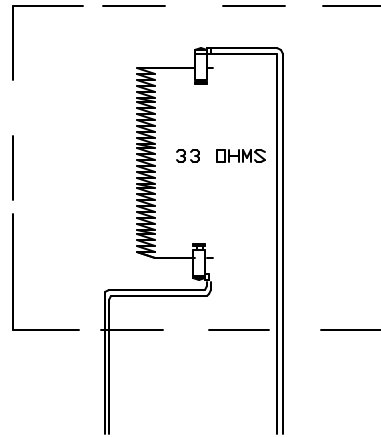


- NOTE:
- 1 DUE TO A MUFFLE CHANGE FROM 1 ELEMENT TO 2 ELEMENTS THE WIRING MUST BE CHANGED AS SHOWN
 - 2 ONLY THE WIRE LEADS FROM THE RELAY TO THE ELEMENTS NEED TO CHANGE
 - 3 THE REST OF THE WIRING NEED NOT CHANGE BUT WILL NOT AFFECT OPERATION
 - 4 BOTH THE 120V AND 240V VERSIONS ARE SHOWN

208-240V WIRING

OLD MUFFLE



TO RELAY

#2614-3
MUFFLE
W/17.1 OHM
ELEMENT

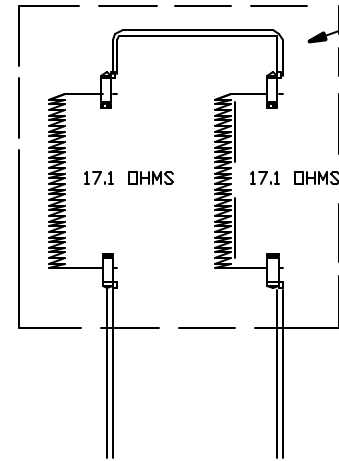
POWER REQS
208 VOLTS
1 PHASE
60 HERTZ
6 AMPS
1265 WATTS

POWER REQS
230 VOLTS
1 PHASE
60 HERTZ
7 AMPS
1415 WATTS

POWER REQS
230 VOLTS
1 PHASE
60 HERTZ
7 AMPS
1500 WATTS

POWER REQS
240 VOLTS
1 PHASE
60 HERTZ
7 AMPS
1680 WATTS

NEW MUFFLE

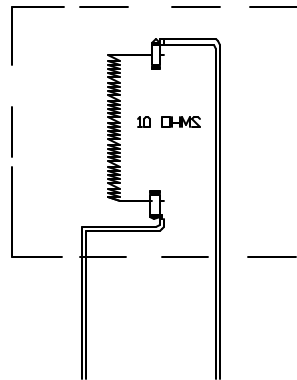


TO RELAY

#2614-8
MUFFLE
W/17.1 OHM
ELEMENT

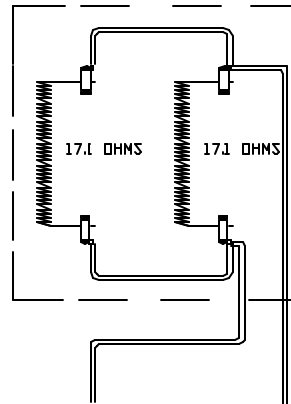
120V WIRING

OLD MUFFLE



TO RELAY

#2614-1
MUFFLE
W/17.1 OHM
ELEMENT



TO RELAY

#2614-8
MUFFLE
W/17.1 OHM
ELEMENT

NEW MUFFLE

REV	DATE	BY	DESCRIPTION
-	4/28/08	DTB	

(UNLESS OTHERWISE SPECIFIED)
ALL DIMENSIONS ARE IN INCHES
TOLERANCE

DECIMAL ANGLE +/- .1 DEG.
.XXX +/- .005 FRACTION +/- 1/16
.XX +/- .05

PARAGON INDUSTRIES
2011 SOUTH TOWN EAST BLVD
MESQUITE, TEXAS 75149

PART NO	INS1014	REV	-
DESCRIPTION:	INTERCHANGE SC2 MUFFLES		